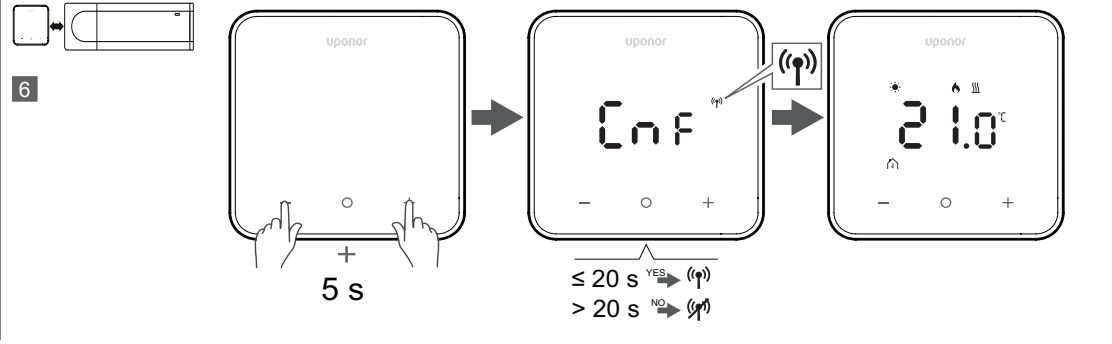
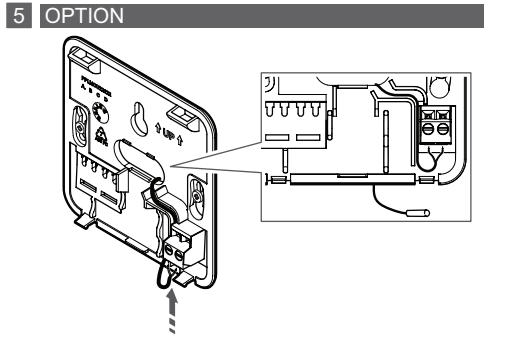
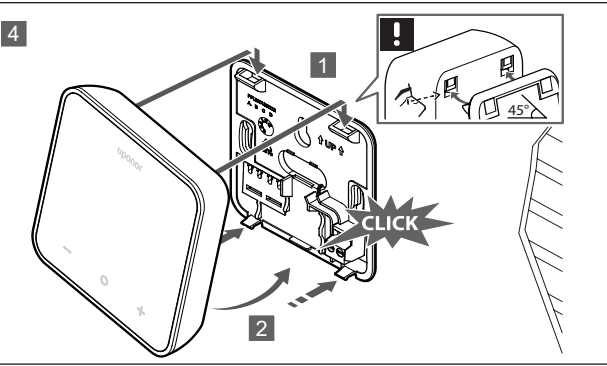
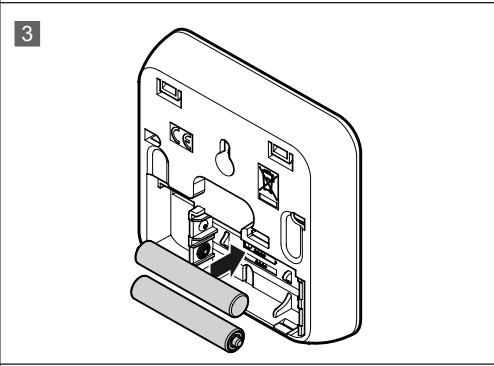
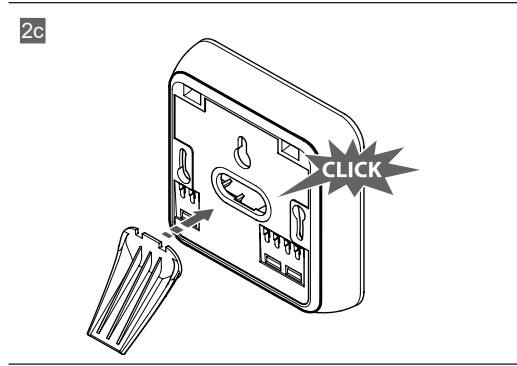
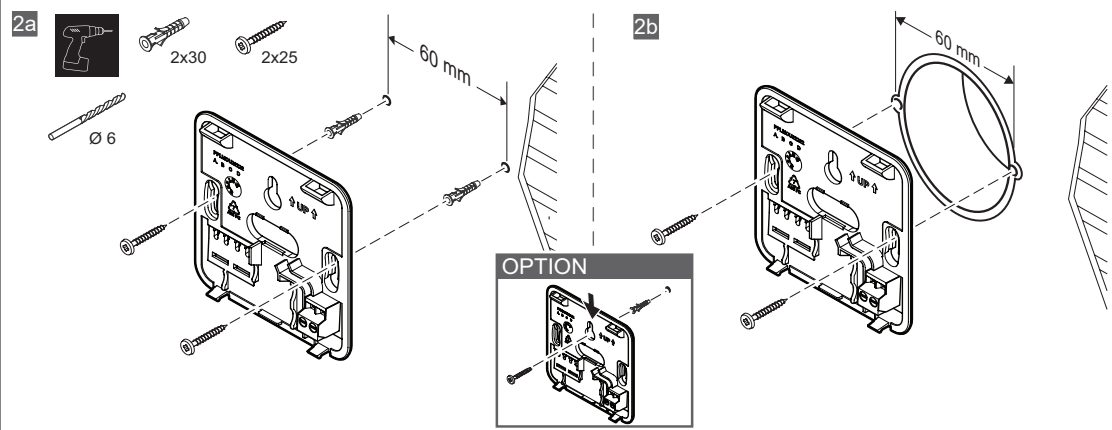
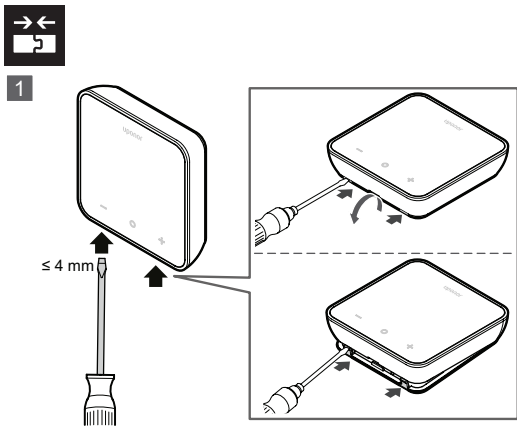


Uponor

Uponor Smatrix Wave
thermostat D+RH T-267



www.uponor.com



Production: Uponor / SKA
1145125 v1_01_2025_INT
D-97437 Hassfurt, Germany
Uponor GmbH
Uponor reserves the right to change the product portfolio and the related documentation without prior notification, in line with its policy of continuous improvement and development.

www.uponor.com/doc/1071660

