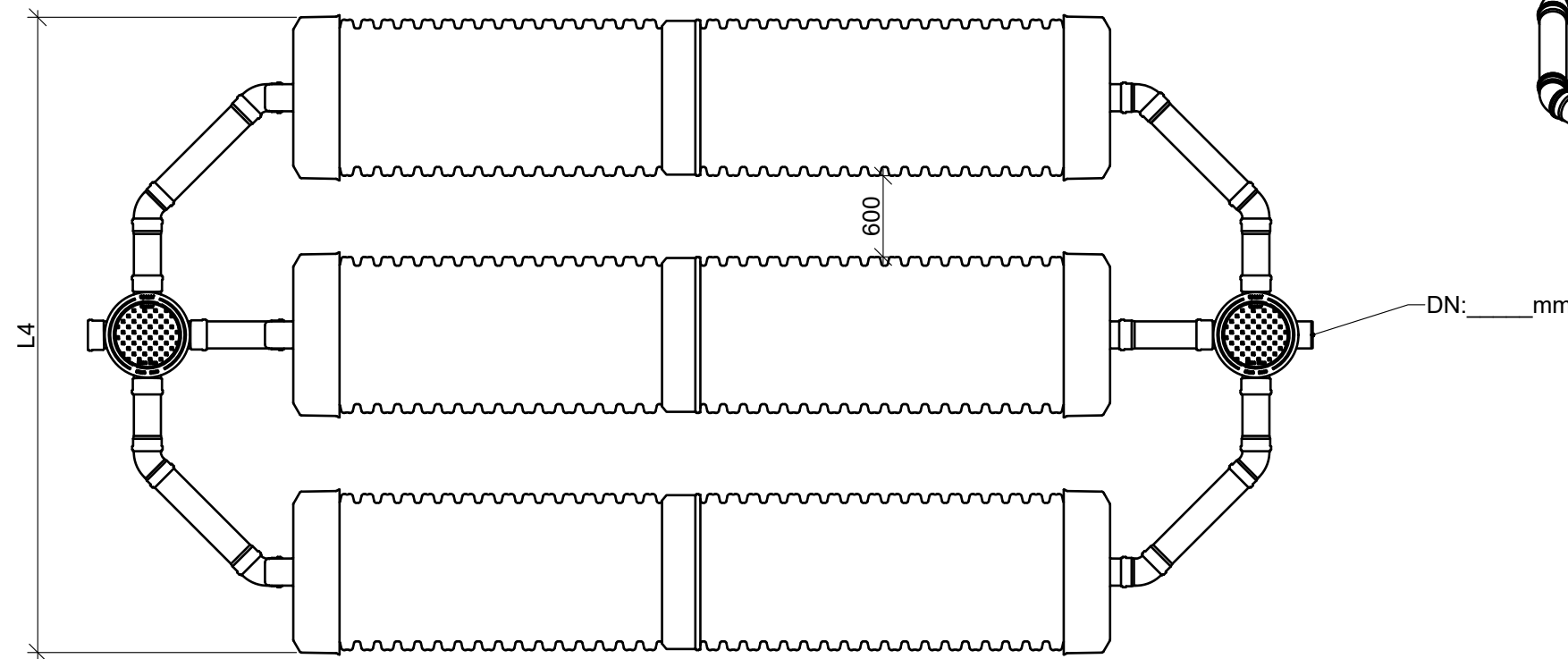
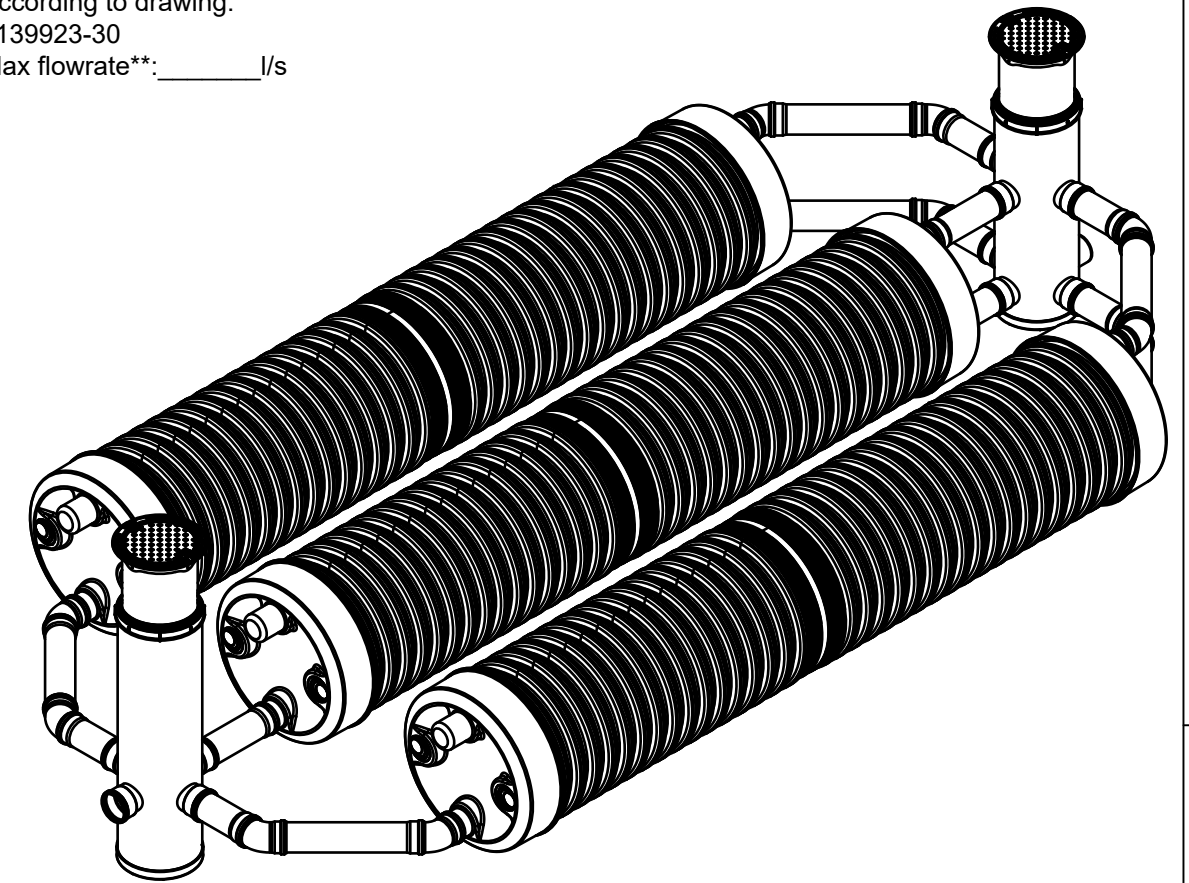
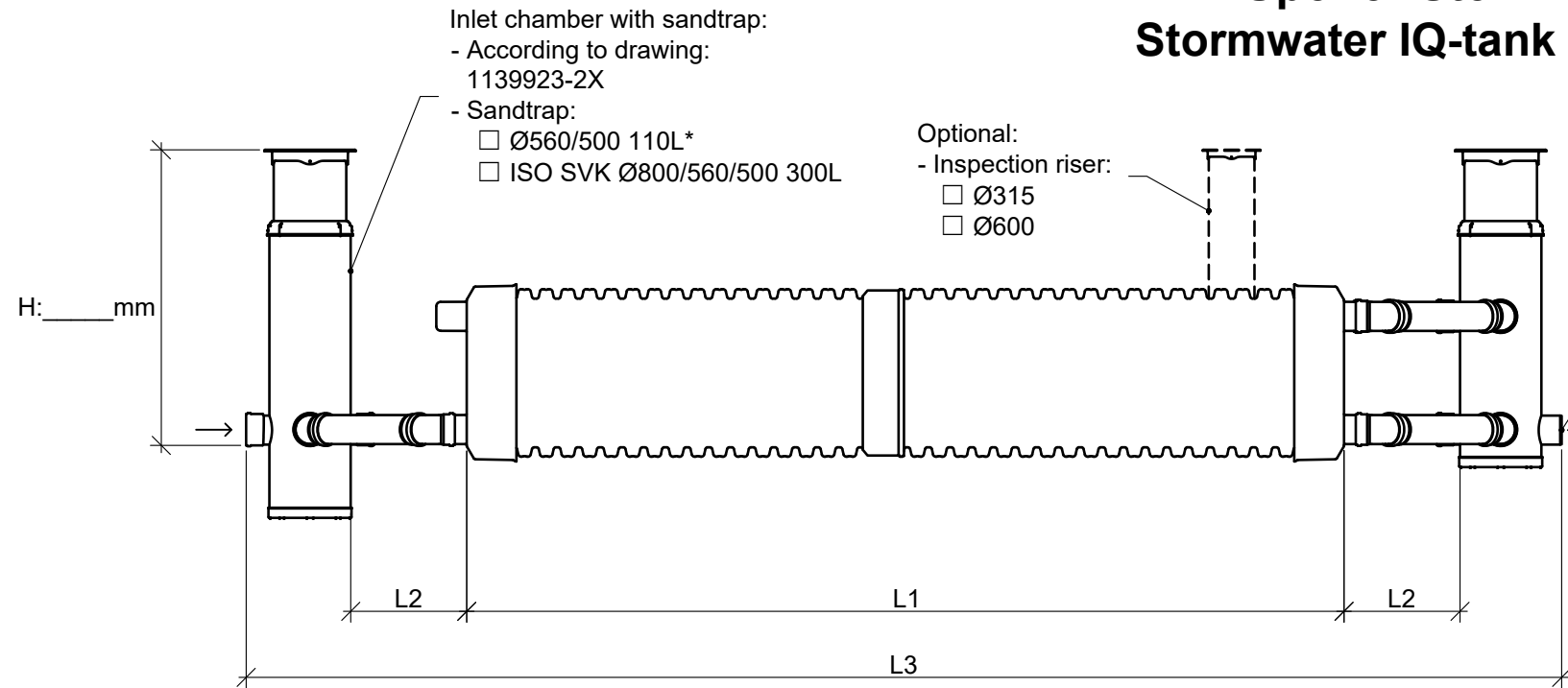


# Uponor Stormwise Stormwater IQ-tank 3 strings



Dimension table [mm]			
String Ø	L2	L3	L4
680/600	≥800	L1+2720	3240
902/800	≥800	L1+2720	3910
1154/1000	≥800	L1+2720	4660
1360/1200	≥800	L1+2840	5280

\*Standard option \*\*Flowrate at full system

	Length of tank [L1] (Volume in table calculated for 3 strings)								
	3 m	6 m	9 m	12 m	15 m	18 m	21 m	24 m	Other length
680/600	-	<input type="checkbox"/> 5,1m³	-	<input type="checkbox"/> 10,2m³	-	<input type="checkbox"/> 15,3m³	-	<input type="checkbox"/> 20,4m³	<input type="checkbox"/> _____ 0,84m³/m
902/800	<input type="checkbox"/> 4,2m³	<input type="checkbox"/> 8,4m³	<input type="checkbox"/> 13,2m³	<input type="checkbox"/> 17,4m³	<input type="checkbox"/> 22,2m³	<input type="checkbox"/> 26,4m³	<input type="checkbox"/> 31,5m³	<input type="checkbox"/> 35,7m³	<input type="checkbox"/> _____ 1,50m³/m
1154/1000	<input type="checkbox"/> 6,3m³	<input type="checkbox"/> 12,6m³	<input type="checkbox"/> 20,4m³	<input type="checkbox"/> 27,0m³	<input type="checkbox"/> 34,5m³	<input type="checkbox"/> 41,1m³	<input type="checkbox"/> 48,9m³	<input type="checkbox"/> 55,2m³	<input type="checkbox"/> _____ 2,34m³/m
1360/1200	<input type="checkbox"/> 8,7m³	<input type="checkbox"/> 17,7m³	<input type="checkbox"/> 28,5m³	<input type="checkbox"/> 37,2m³	<input type="checkbox"/> 48,3m³	<input type="checkbox"/> 57,0m³	<input type="checkbox"/> 67,8m³	<input type="checkbox"/> 76,8m³	<input type="checkbox"/> _____ 3,39m³/m

CASE NUMBER	DRAWN BY	HANDLED BY
DATE	CONTACT PERSON	
CONTENT		
UPONOR STORMWISE IQ RETENTION TANK		
SCALE	NUMBER	
1:80 (A3)	1139923-3	