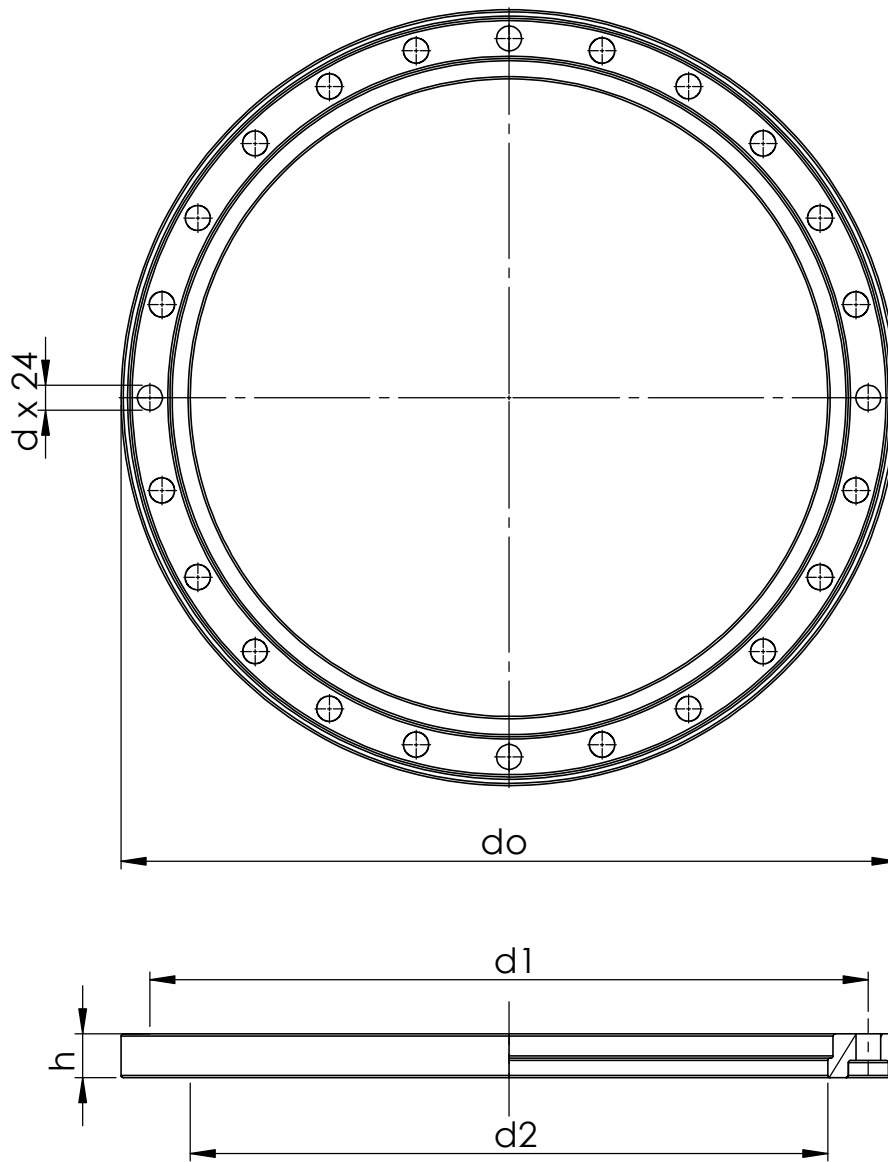


4

3

2

1



Item	Size (flange/collar)	d	Bolt size	d1	d2	do	h	Operating pressure (max)
1076450	800/800	33	M30	950	843	1026	58	6

**Uponor**

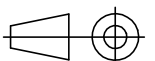
Description

INFRA  
Mounting dimensions  
Pressure flange PN10/PN6  
Flanges

Drawing number

Z\_Pressure\_flange\_delta\_PN10\_PN6\_PP

Sheet: 1/1



4

3

2

1