

4

3

2

1

F

F

E

E

D

D

C

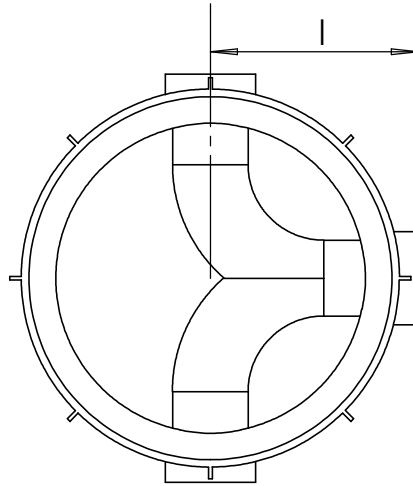
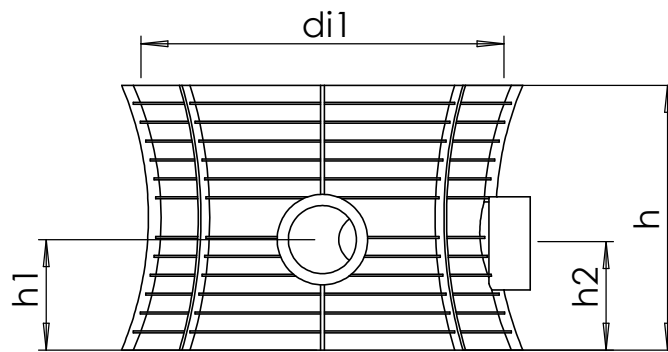
C

B

B

A

A



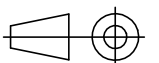
Item	Size	$di1$	$l$	$h$	$h1$	$h2$	$M$
1057576	1000/200 90-270 DEG	1000	627	700	184	292	110
1057582	1000/250 90-270 DEG	1000	670	700	182	314	140
1057588	1000/315 90-270 DEG	1000	713	700	180	345	153

**Uponor**

Description  
INFRA  
Mounting dimensions  
Sewer inspection chamber  
modular

Drawing number  
Z\_Accesso\_1000\_0-90-270\_deg\_T6

Sheet: 1/1



4

3

2

1