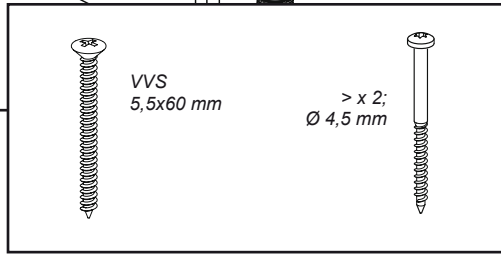
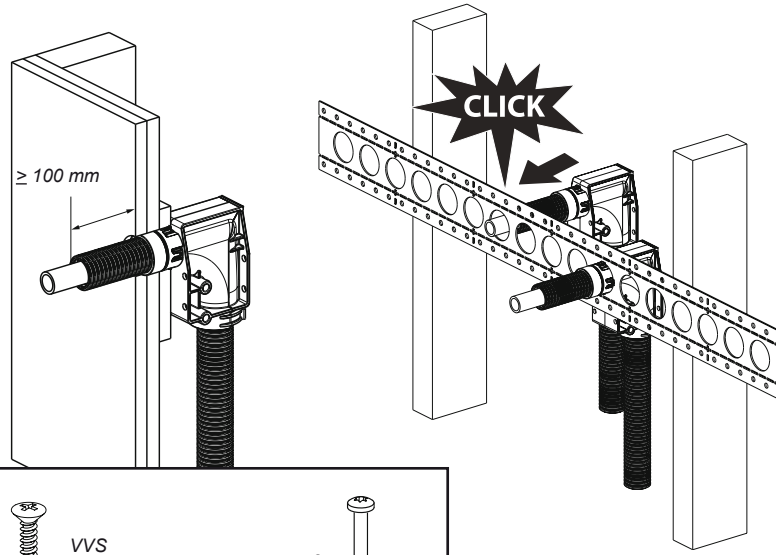
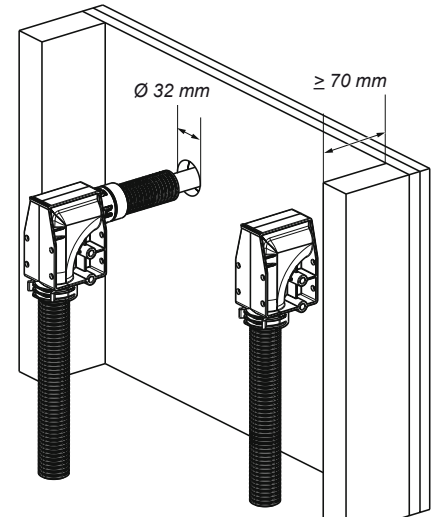
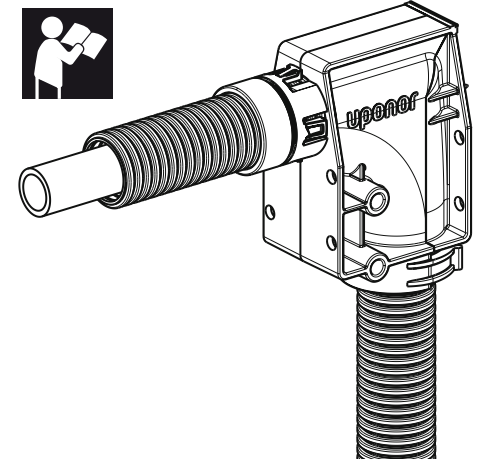
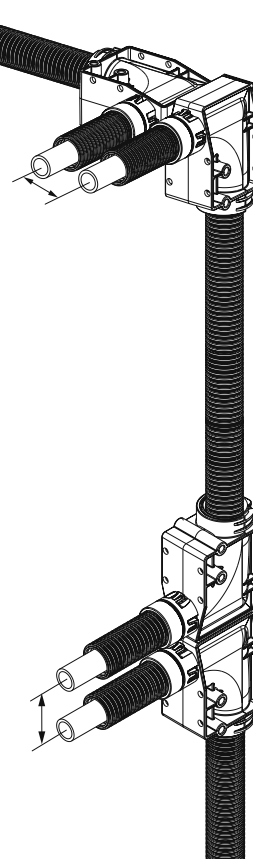
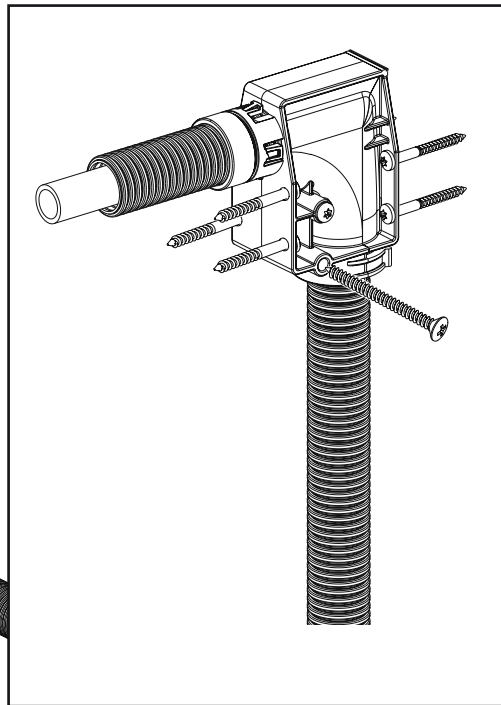
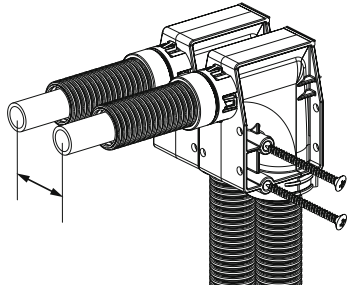


Uponor Smart Aqua PLUS wall bend support WBa 25/20



c/c 40 mm



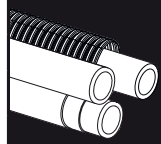
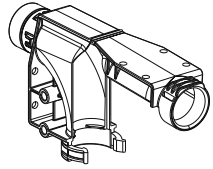
1092207\_02\_2021\_INT

Uponor Corporation

www.uponor.com



Uponor reserves the right to change specifications without prior notice. In keeping with our policy of continuous improvement and development.



**A** PE-Xa

Uponor Aqua PIP

Ø 15-18 mm

**B** Composite

Uponor Combi PIP

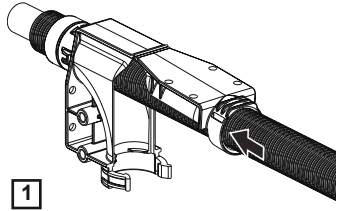
Ø 15-18 mm

**C** Conduit

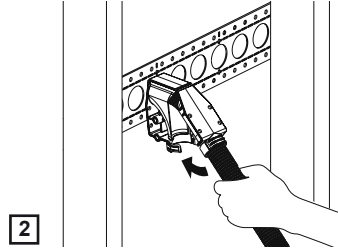
Uponor Teck conduit

Ø 25/20 mm

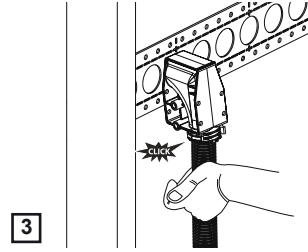
**A**



1

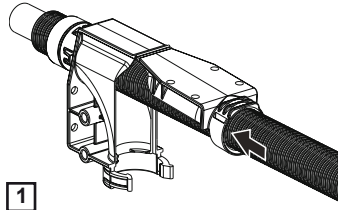


2

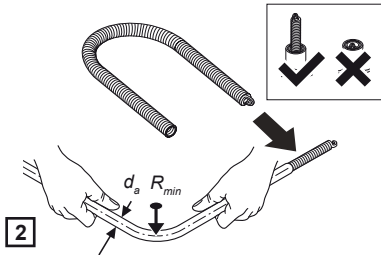


3

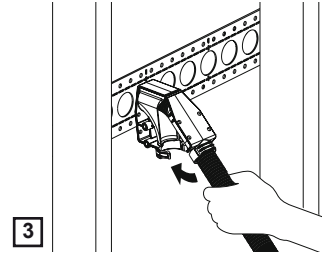
**B**



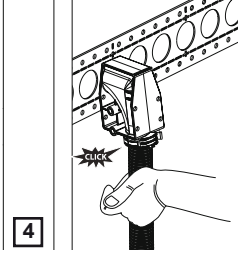
1



2



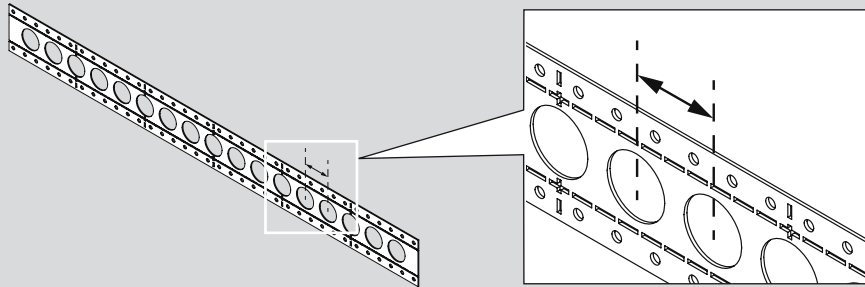
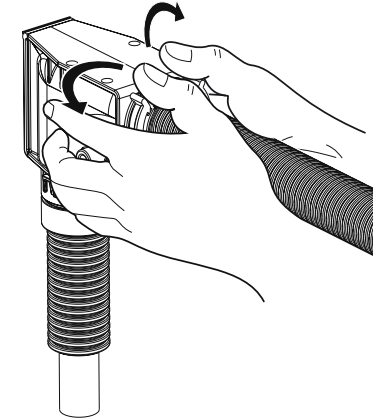
3



4



**OPEN**

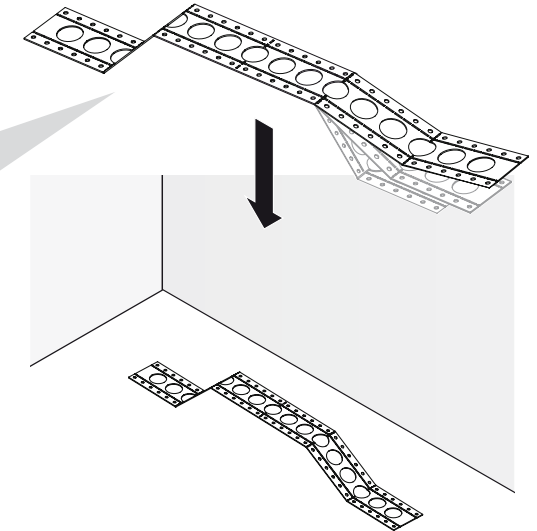


**I** 40, 80, 120, 160 mm

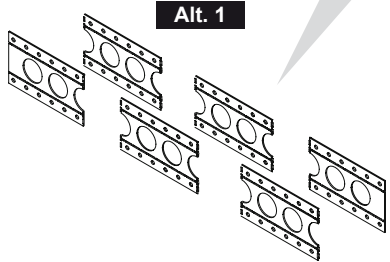
**II** 50, 100, 150 mm

**III** 60, 120, 180 mm

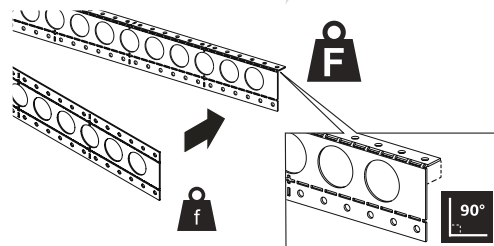
**Alt. 4**



**Alt. 1**



**Alt. 2**



**Alt. 3**

