

INSTALLATION INSTRUCTIONS

1. DIGGING TRENCH

- Pay attention to work safety when digging the trench and leave sufficient working room around the plant.
- Level and mechanically compress the bottom of the trench 150 mm using sand or gravel (grain size max. 60 mm).
- Check out the installation height, trench depth and ensure that the bottom of the trench is on the right level.
- Subsurface drains in the trench are recommended.

2. ANCHORING

- The delivery of the WehoPuts 20 plant includes 2 anchoring rods and belts, and 16 anchoring plates.
- The end of one rod will contain a total of 4 plates.
- Place the rods perpendicular to the sides of the treatment plant.
- Pull the anchoring belts over the plant on both sides.
- Thread the loop ends of the belts to the anchoring rods.
- Press the anchoring plates (2) against each other with fasteners and pressed onto the rod on either side of the belt.

3. PIPE CONNECTIONS

- Connect inlet pipe to the plant.
- Connect overflow pipe and discharge pipe to the plant.
- The recommended minimum slant of the pipes is 1 %.
- Install ventilation pipe and signal lamp.

NOTE! Do not join the discharge and overflow pipes.

4. ELECTRICAL CONNECTIONS

- Bring the buried cable from the property to the plant machine room using a pass-trough.
- The cable is connected to the property's distribution board and to the single-phase socket in the machine room by a qualified electrician.

5. INSULATION

- Insulate the treatment plant against frost.
- Insulation thickness min. 50 mm, width 2400 mm/side.
- Insulate inlet, overflow and discharge sewers as well.

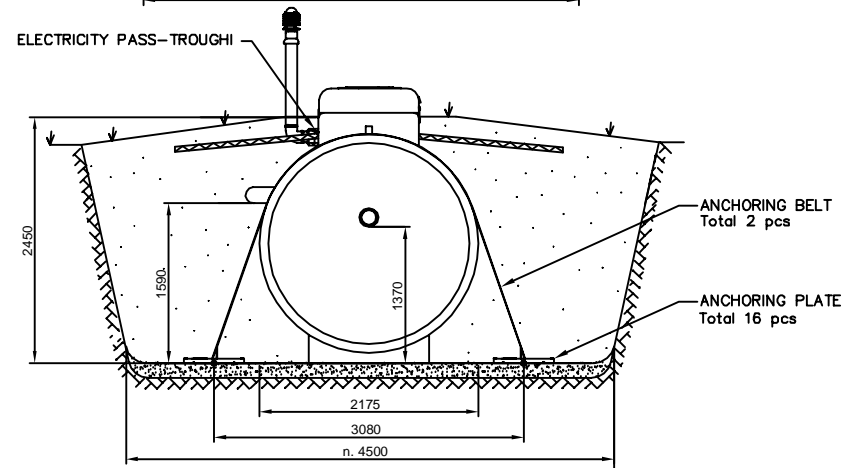
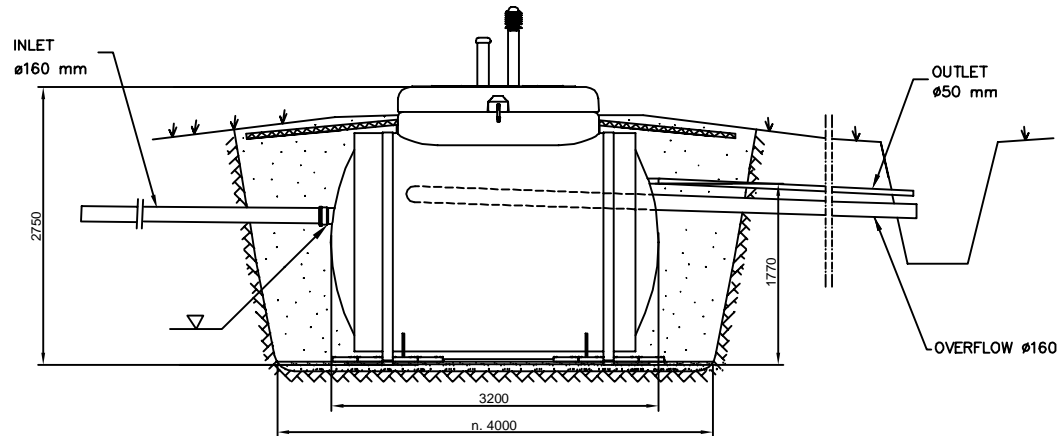
NOTE! Ensure the discharge location does not freeze!

6. BACKFILLING

- The trench must be filled compressing in layers using frost-proof soil grain size max. 32 mm.
- Shape the surface to slant away from the treatment plant.

7. STARTUP

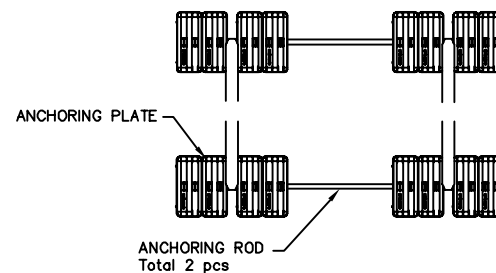
- Inspections and actions of startup are carried out according to the operation manual.
- Lock the treatment plant cover.



WehoPuts 20 Waste water treatment plant	
SYSTEM DESCRIPTION	
Max flow	3 000 l/d
Dim. water volume: l/d
Number of persons: pe
<input type="checkbox"/>	Frost insulation
DISCHARGE	
EXTRA EQUIPMENT	
<input type="checkbox"/>	
<input type="checkbox"/>	

TREATMENT PLANT AND TRENCH						
Model	Length of plant m	Length of trench m	Depth m	Weight kg	Capacity m ³ /d	Anchoring package pcs
WP 20	3,20	4,00	2,45	1100	3,00	Including

ANCHORING SYSTEM



We reserve the right to changes.

uponor

City/Village	Block/Yard	Lot/Rno.	Notes from administrative authority
Construction act			Drawing type Number
Construction site: name and address			Qualifies Scale
Designer: name, date and signature			Planning, work no. and drawing no. Modification