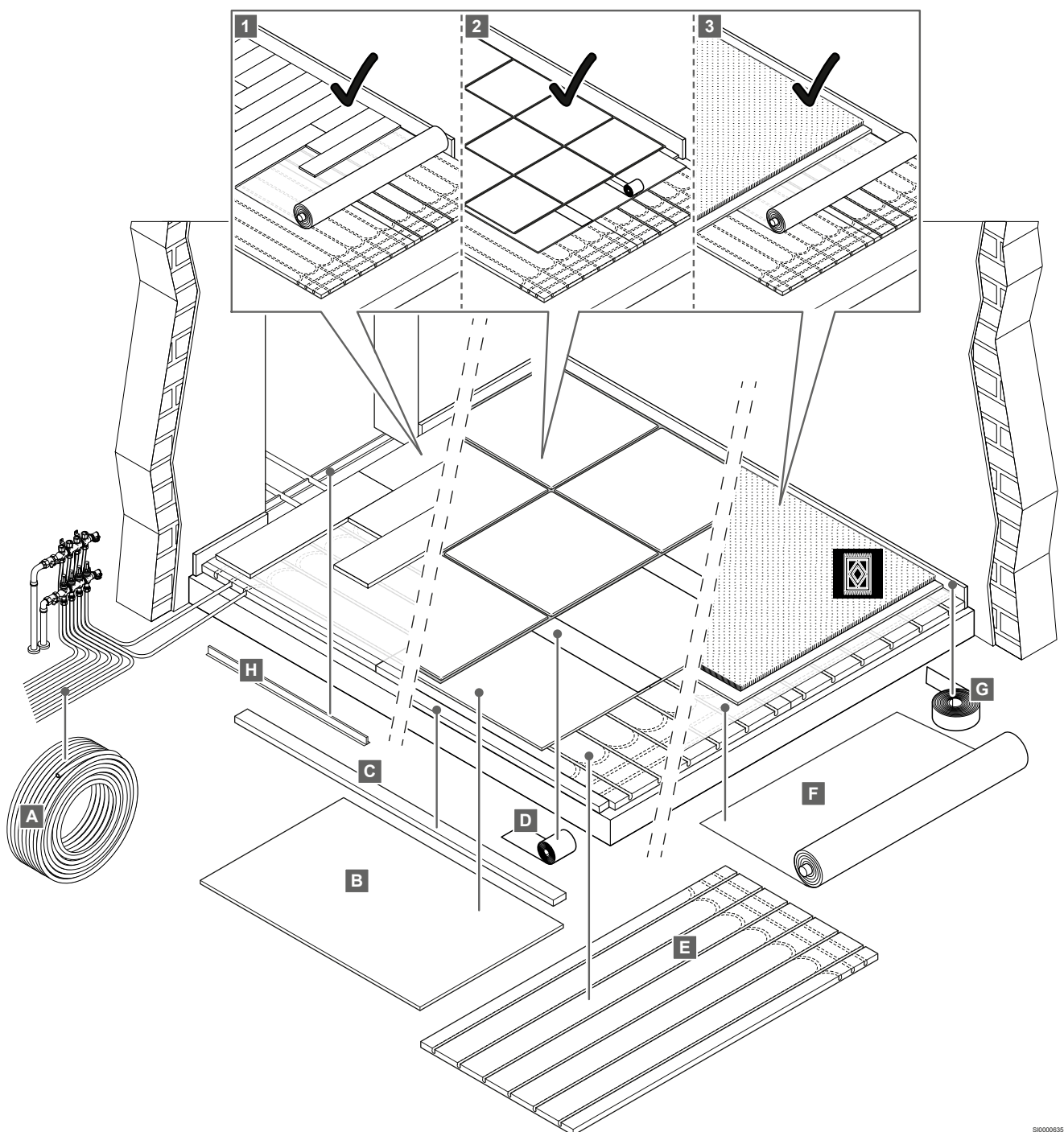
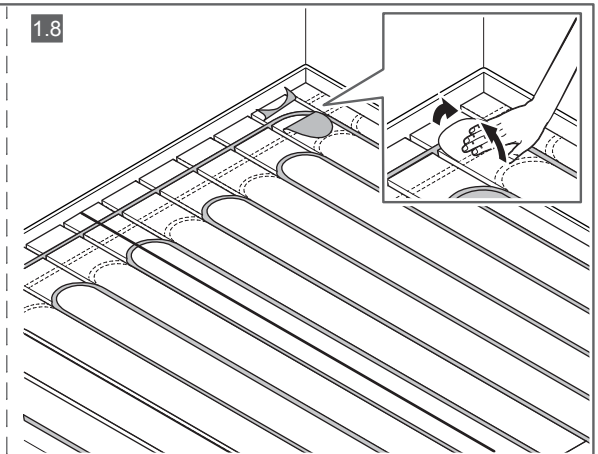
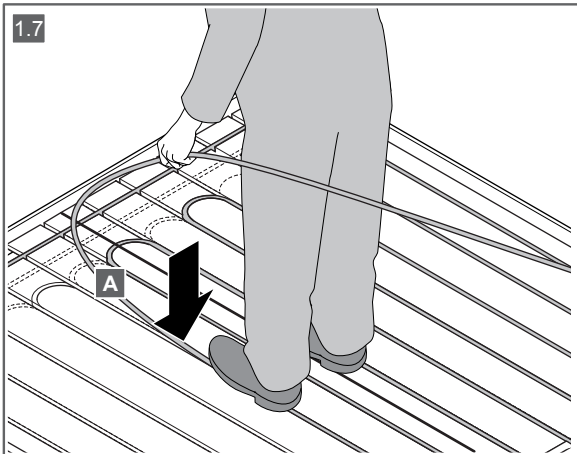
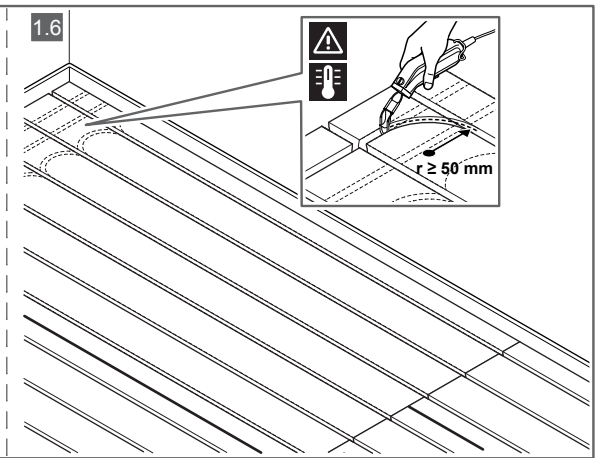
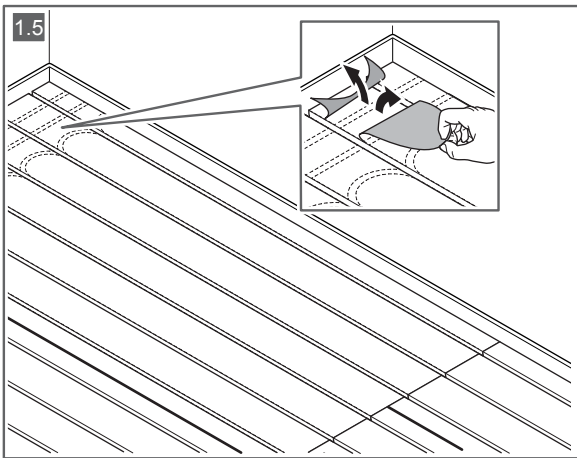
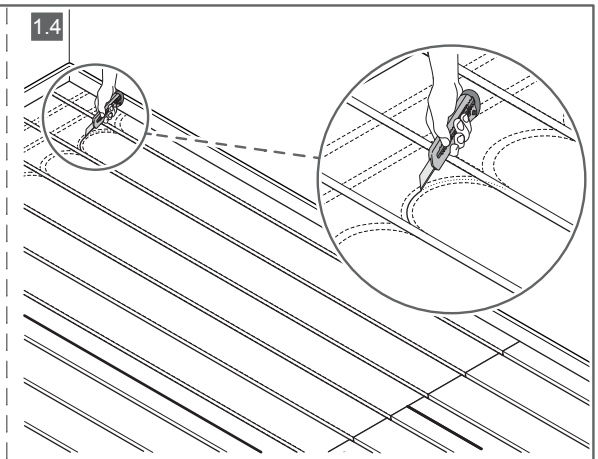
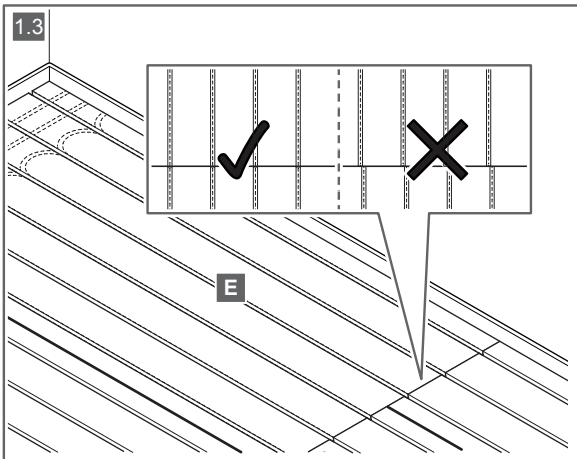
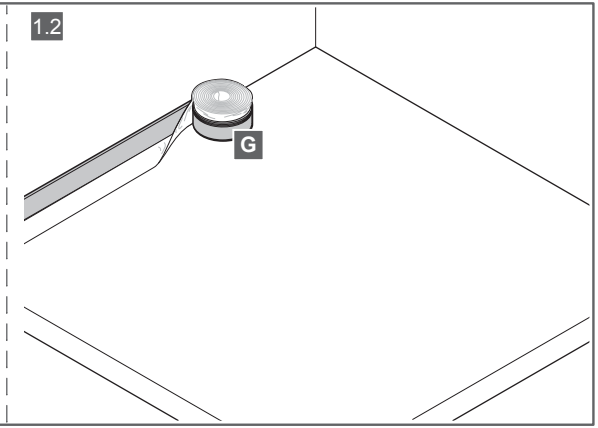
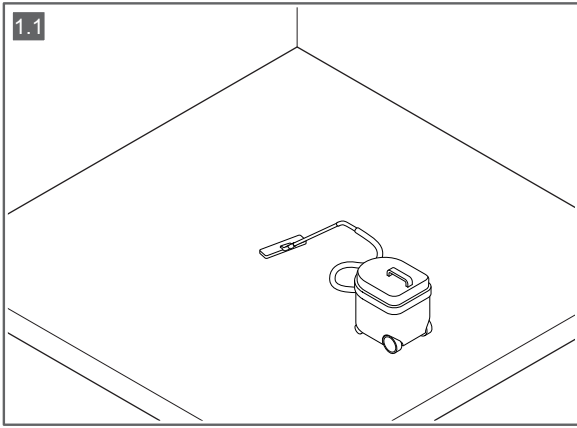
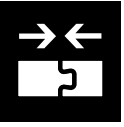
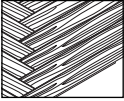


Uponor Siccus Mini underfloor heating and cooling system

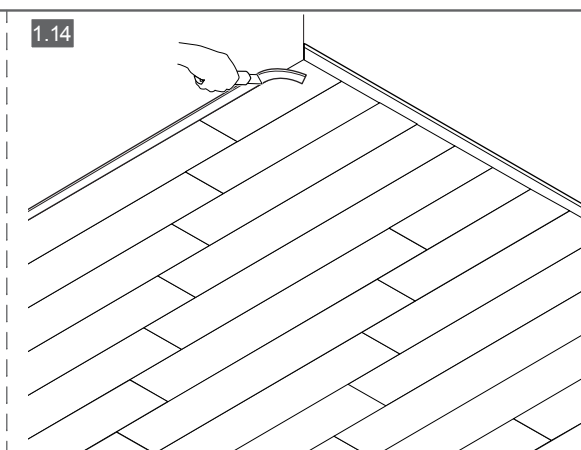
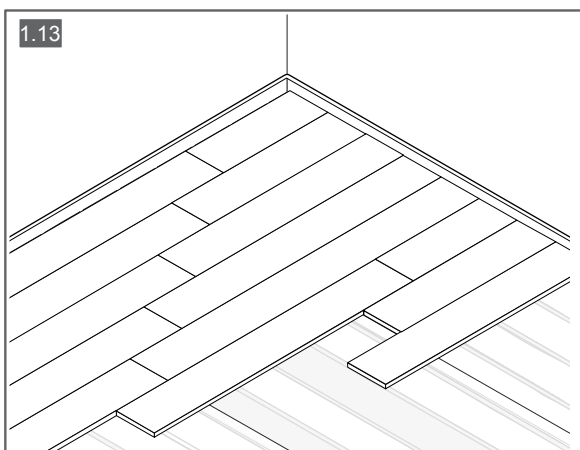
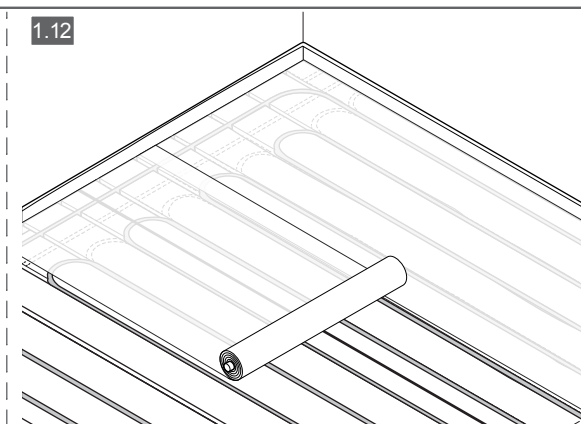
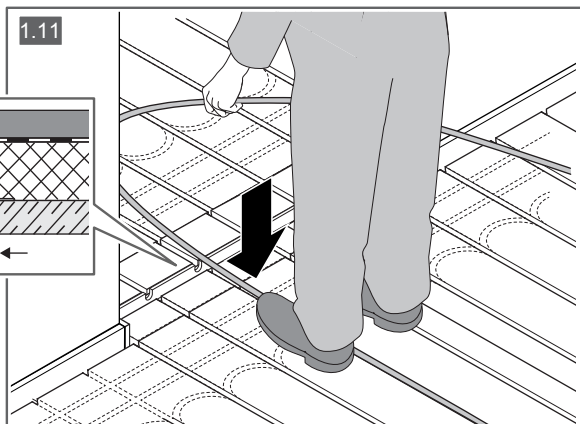
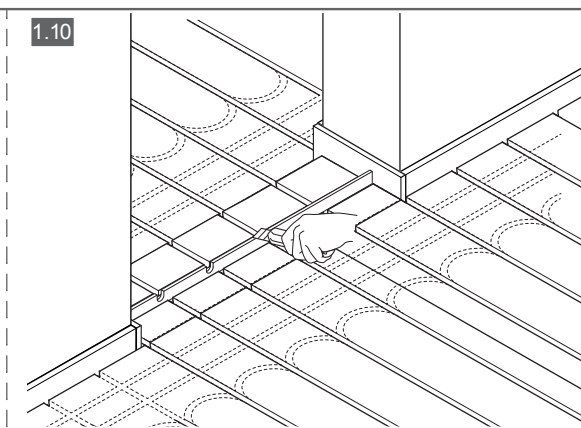
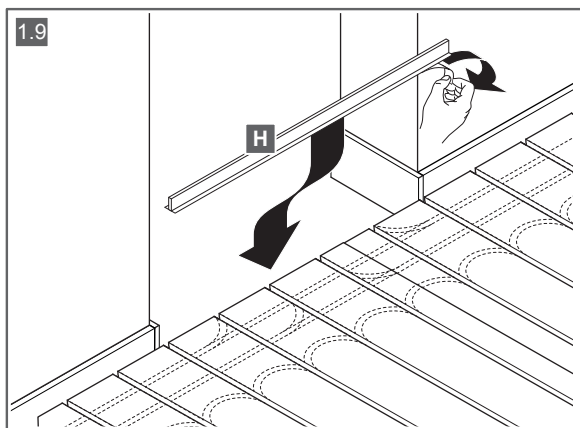
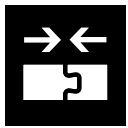
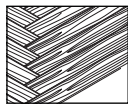


1

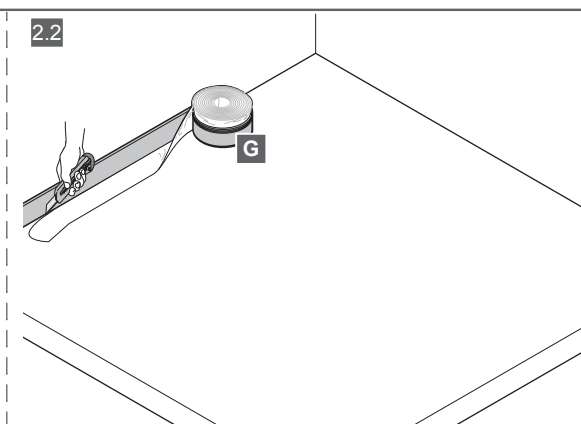
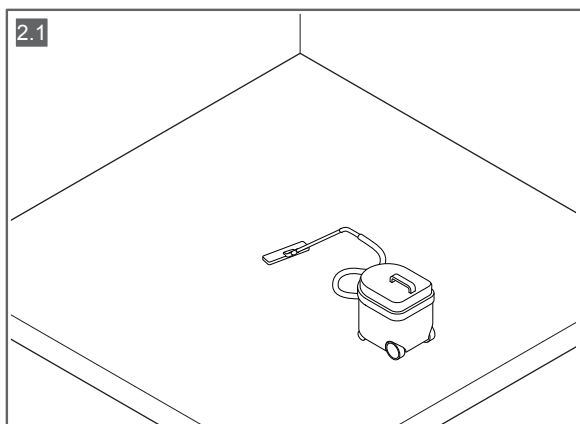
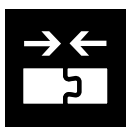


S10000630

1

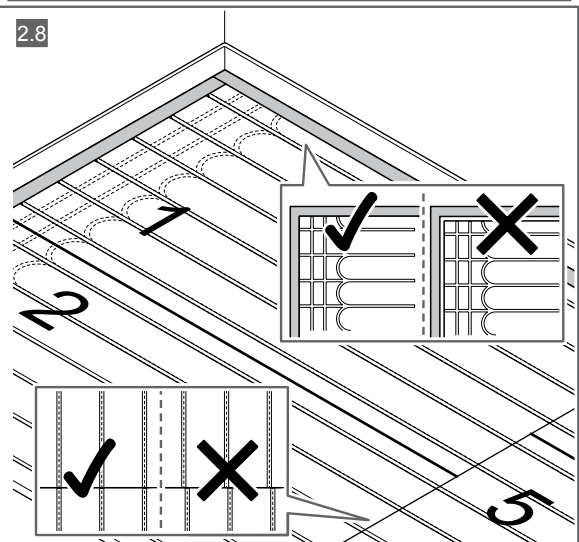
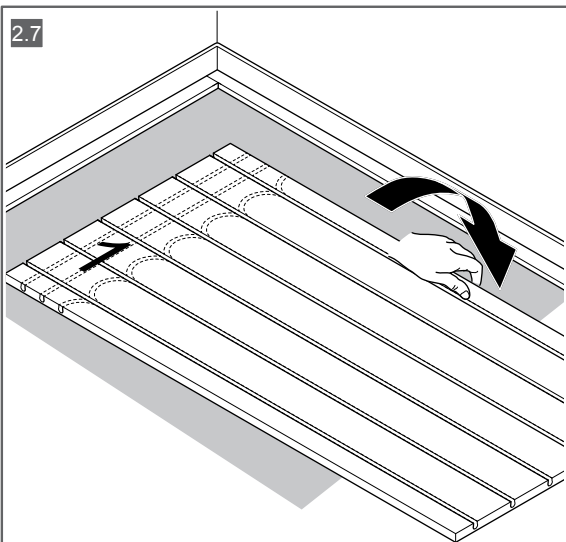
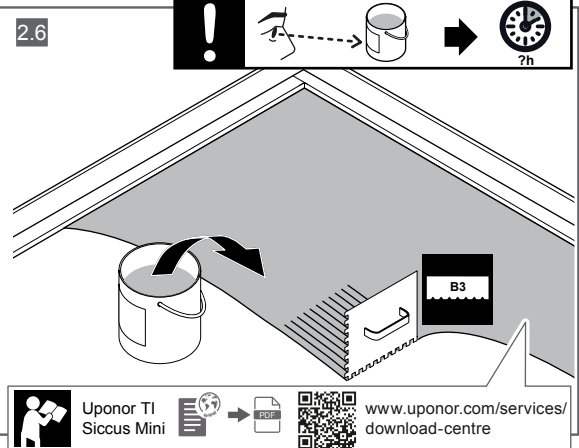
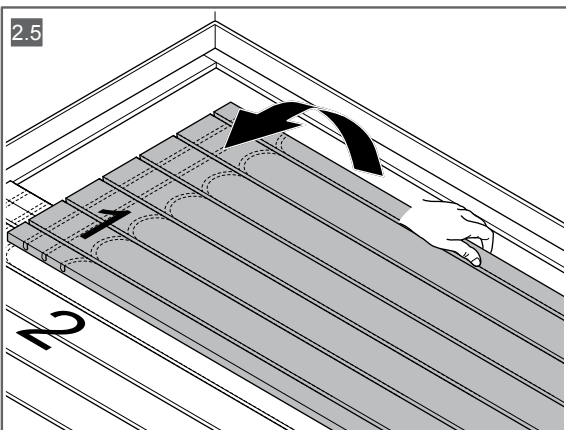
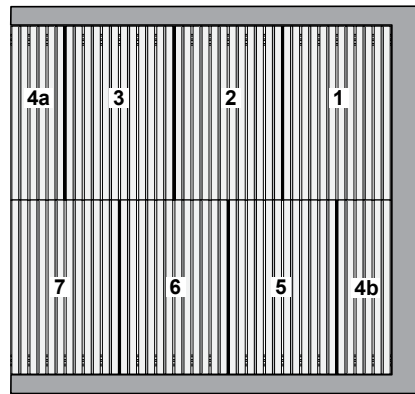
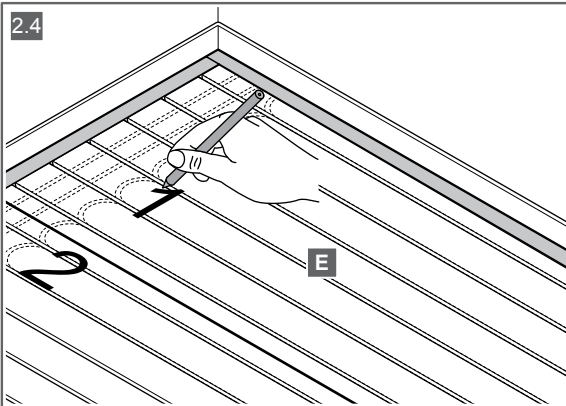
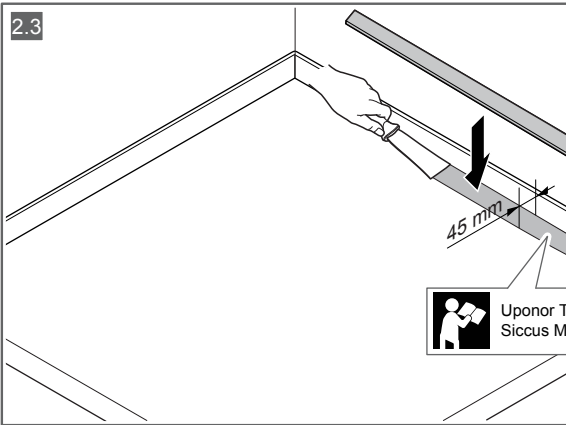
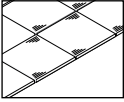


2



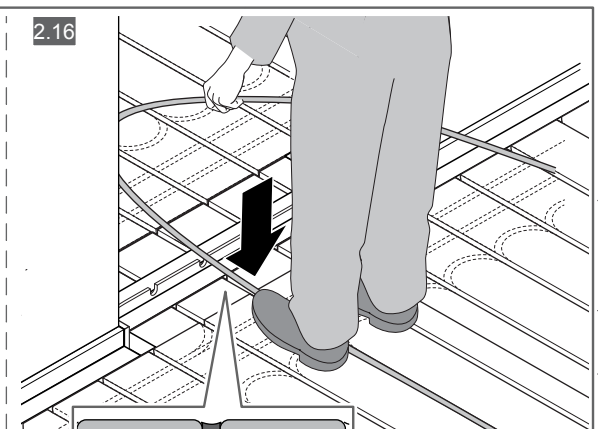
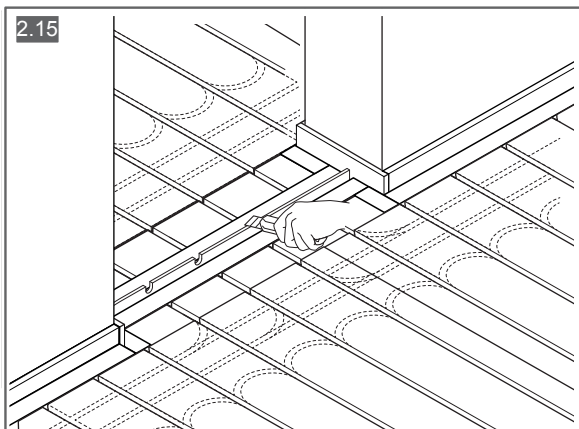
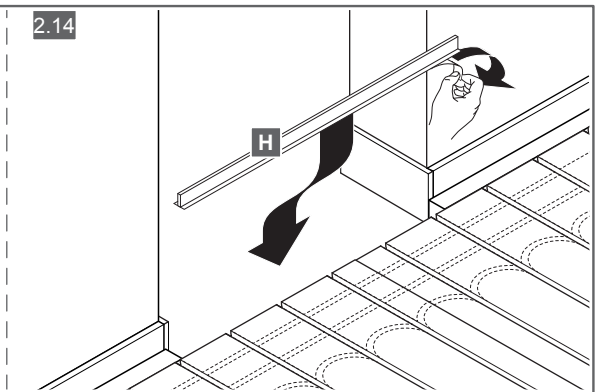
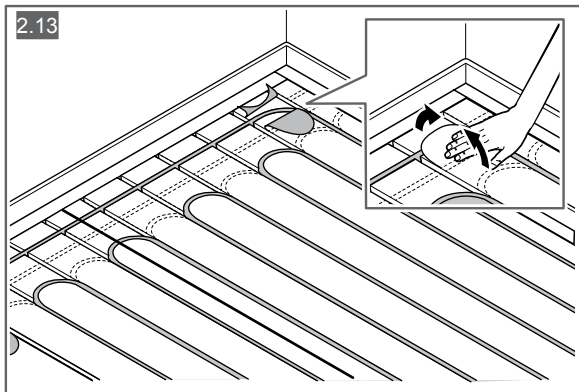
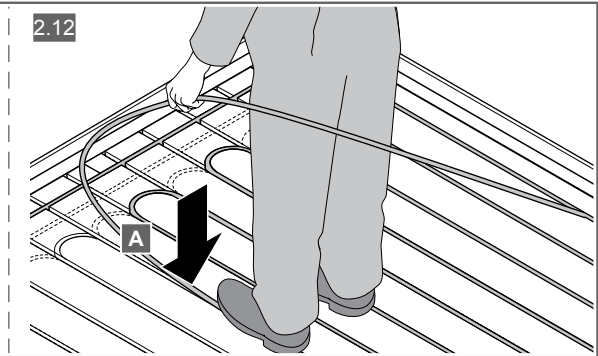
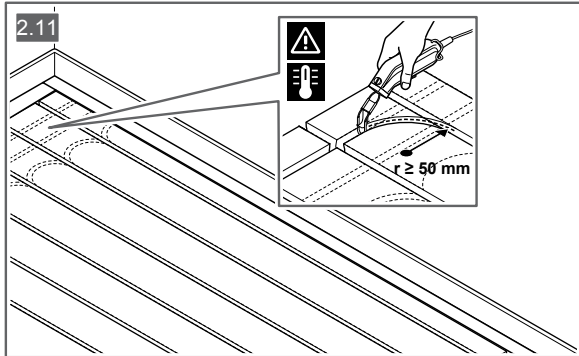
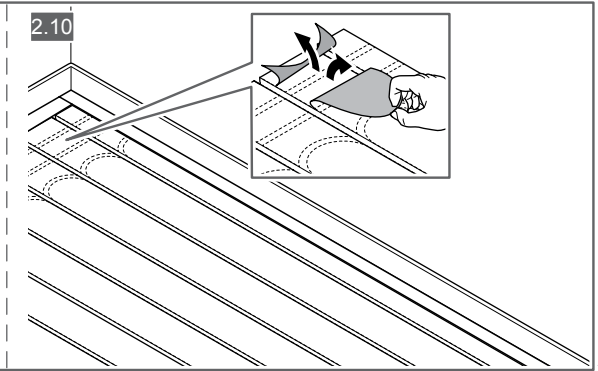
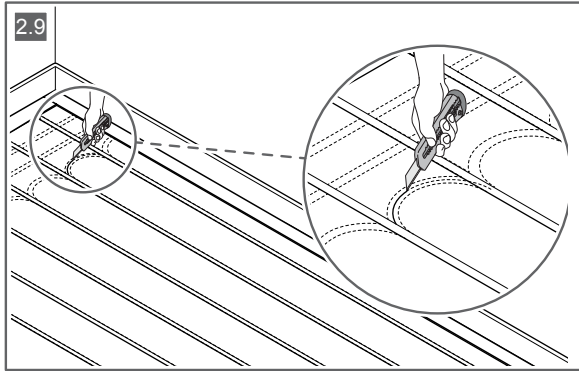
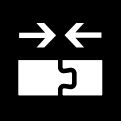
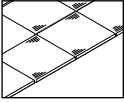
S10000637

2



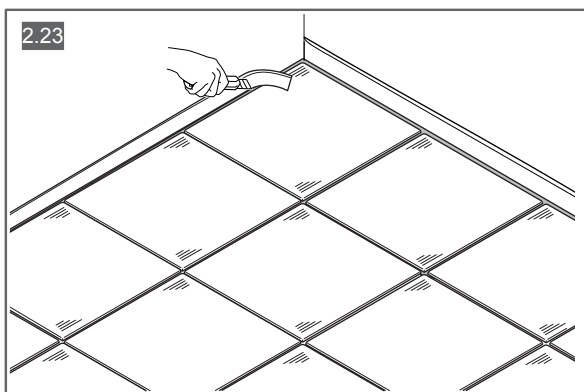
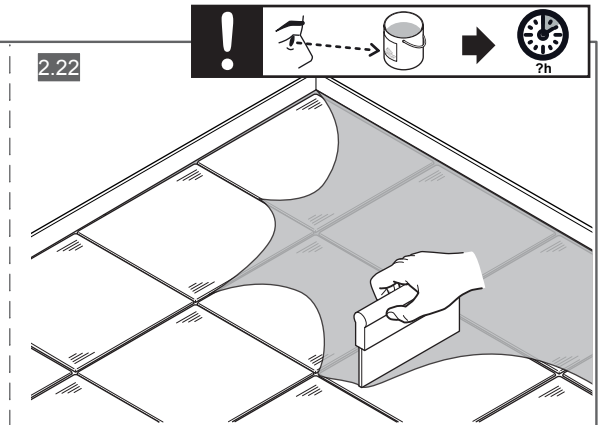
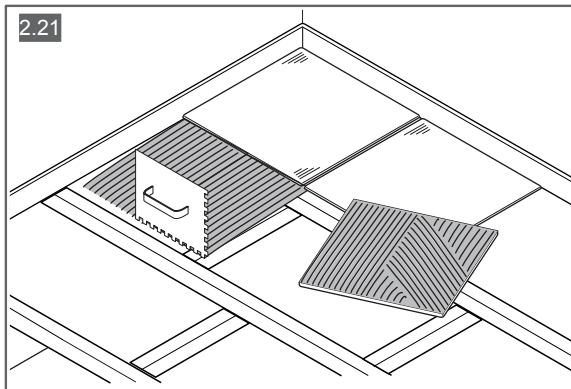
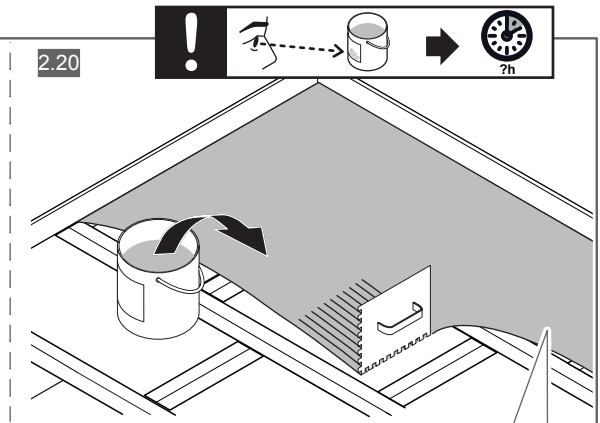
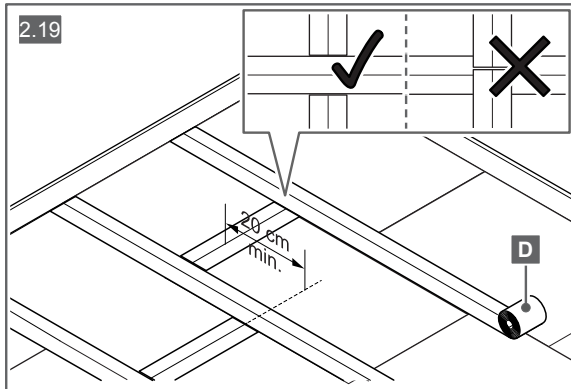
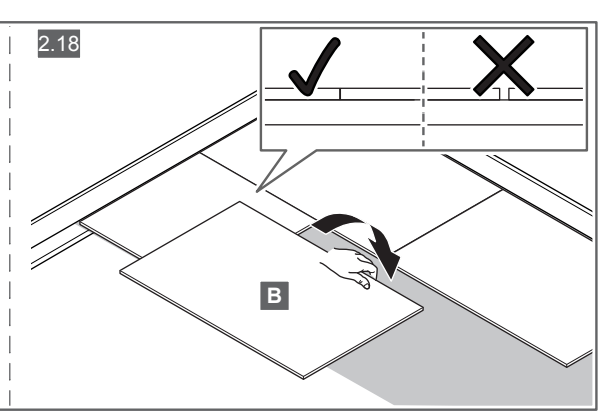
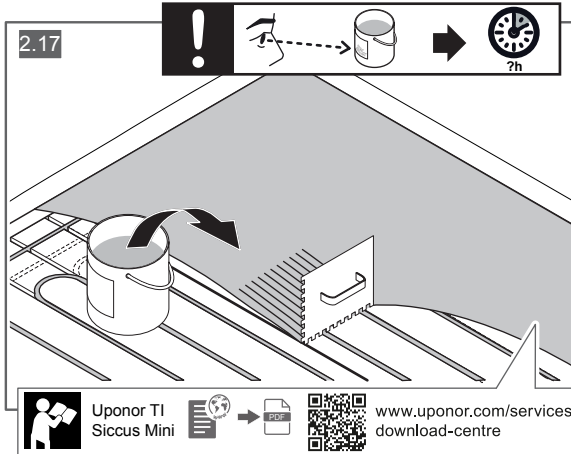
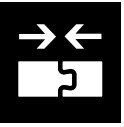
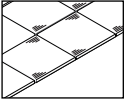
S10000638

2



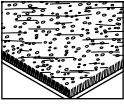
S8000639

2

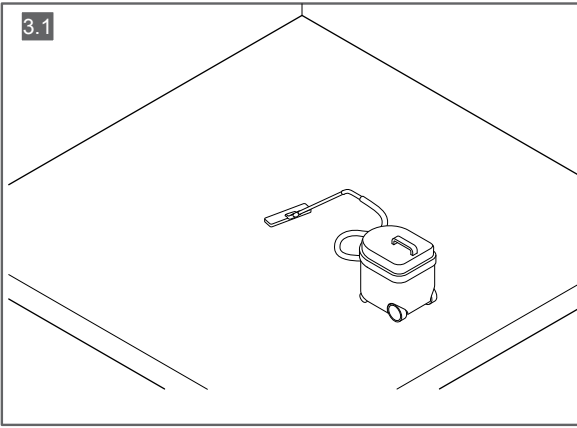


S1000543

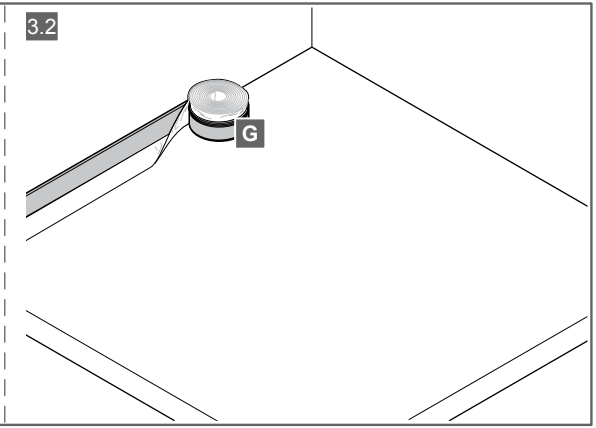
3



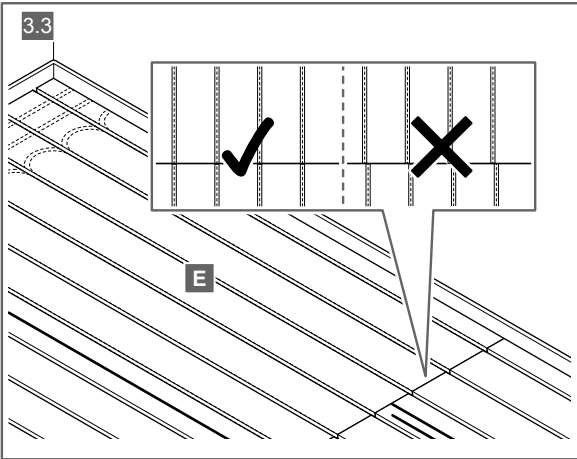
3.1



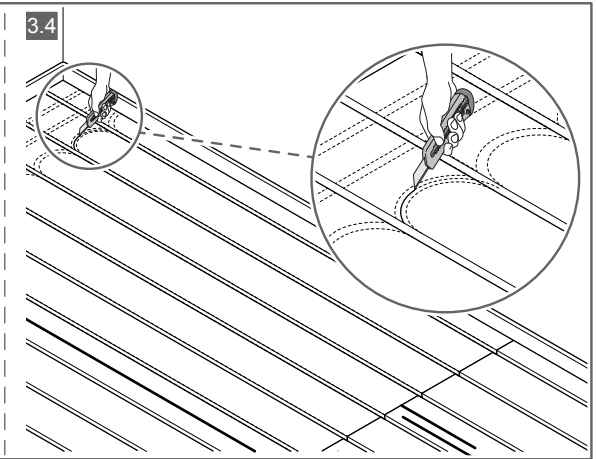
3.2



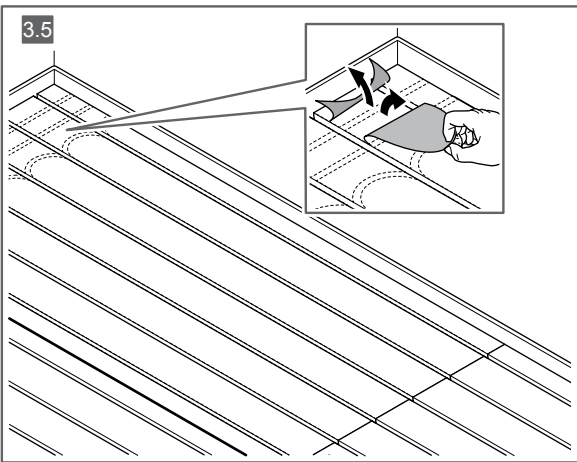
3.3



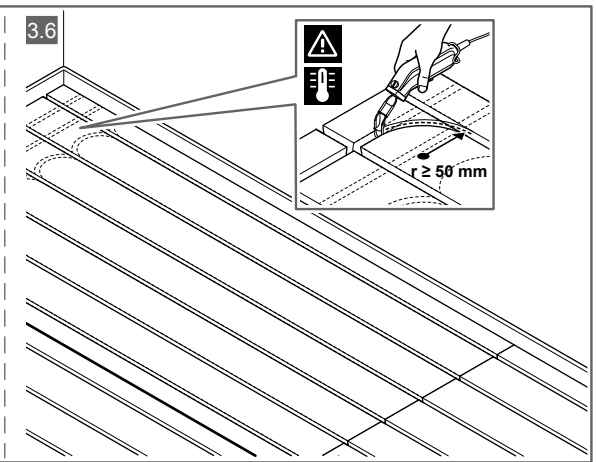
3.4



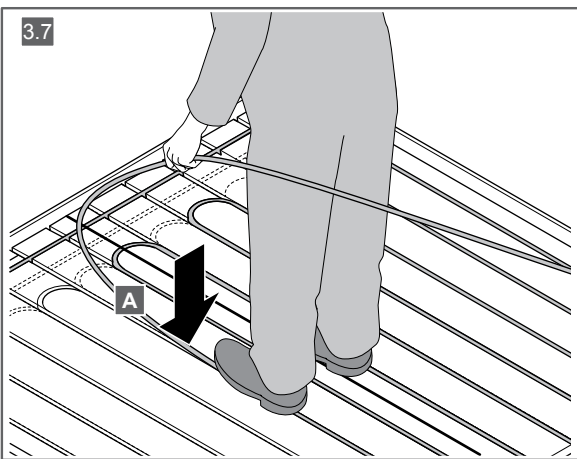
3.5



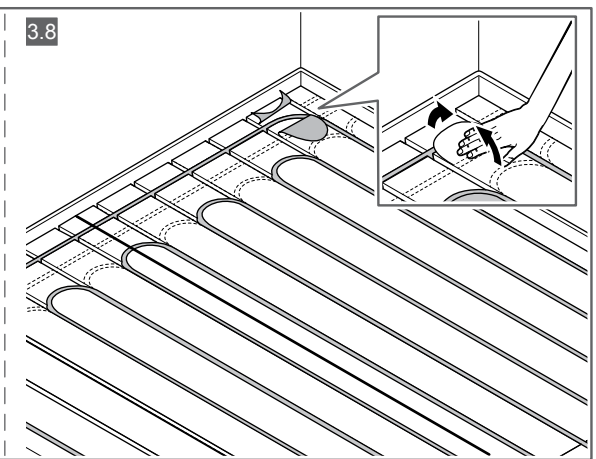
3.6



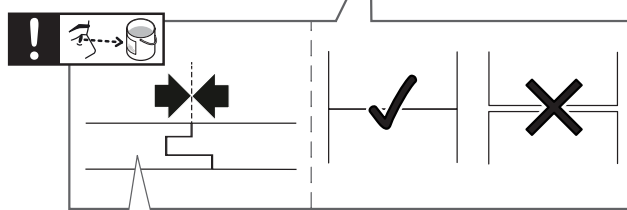
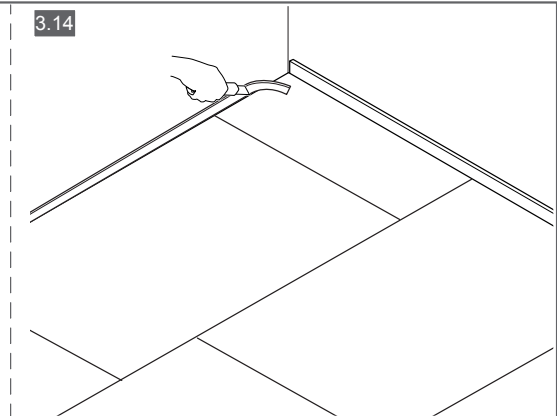
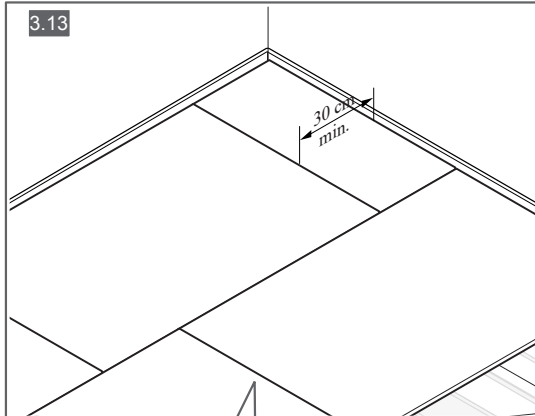
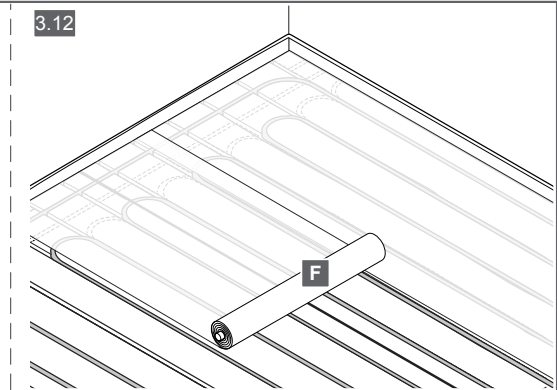
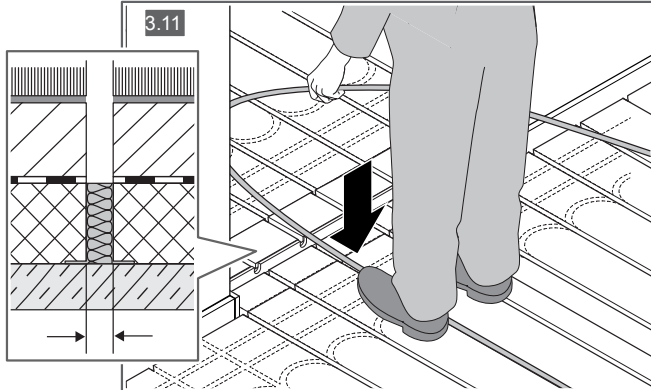
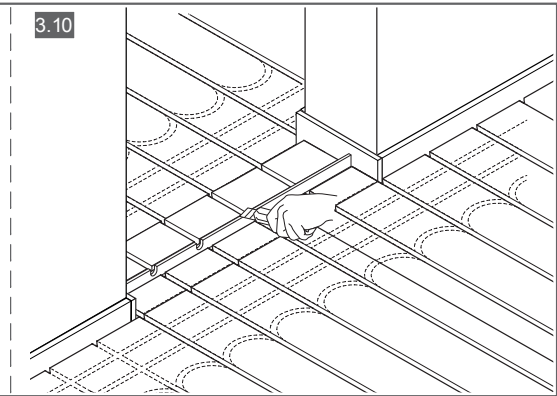
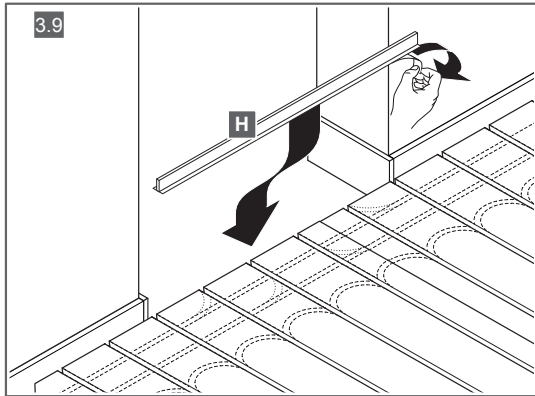
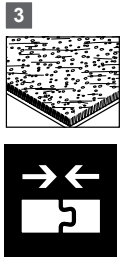
3.7



3.8

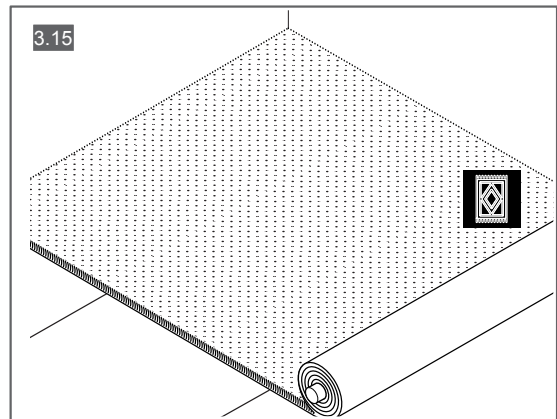


S10000644




 Uponor TI
 Siccus Mini


www.uponor.com/services/download-centre



SI0000786

Uponor GmbH

Industriestraße 56,
D-97437 Hassfurt, Germany

1140147 v2_12_2023_INT
Production: Uponor/SKA

Uponor reserves the right to make changes, without prior notification, to the specification of incorporated components in line with its policy of continuous improvement and development.



www.uponor.com