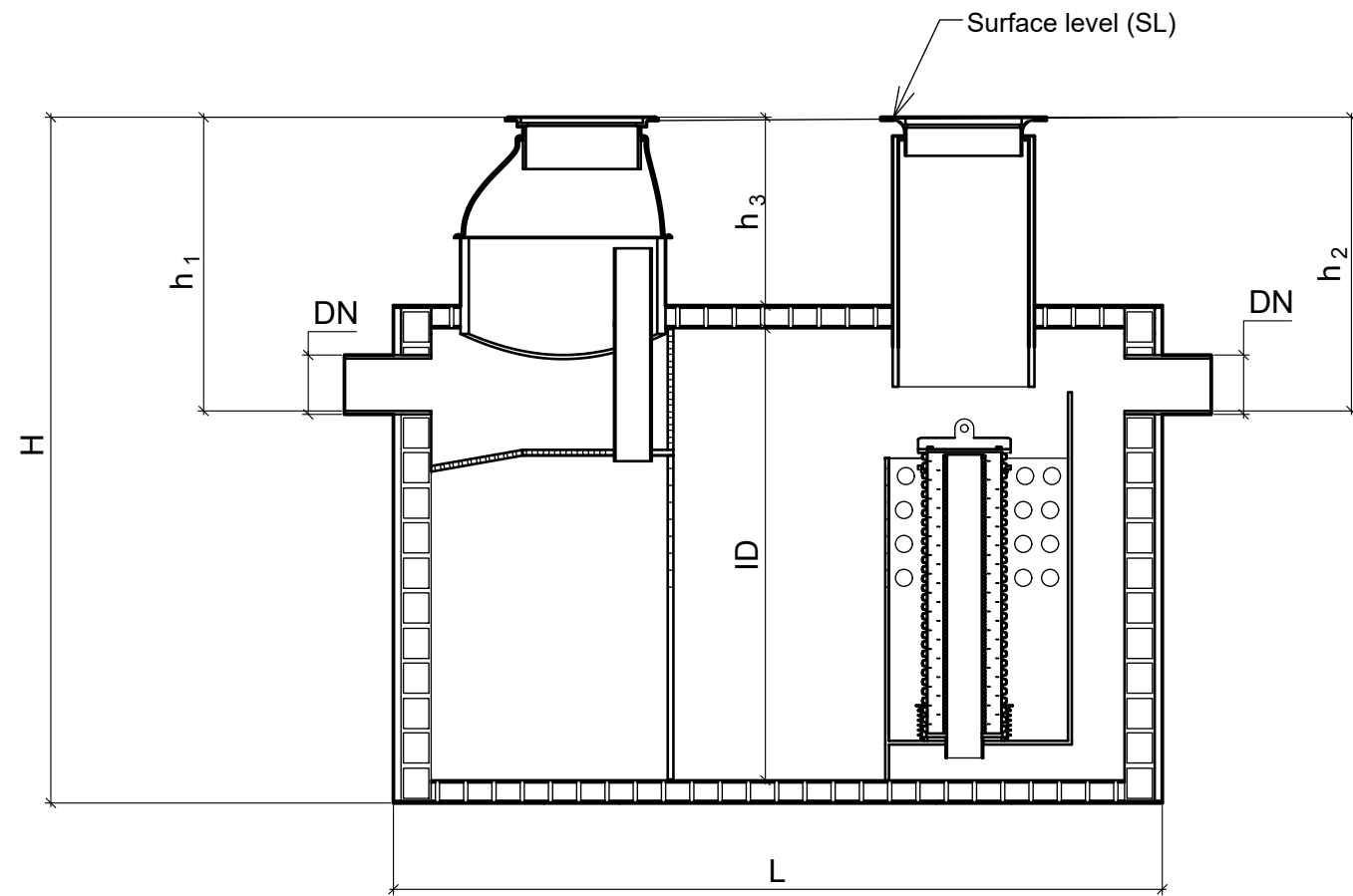
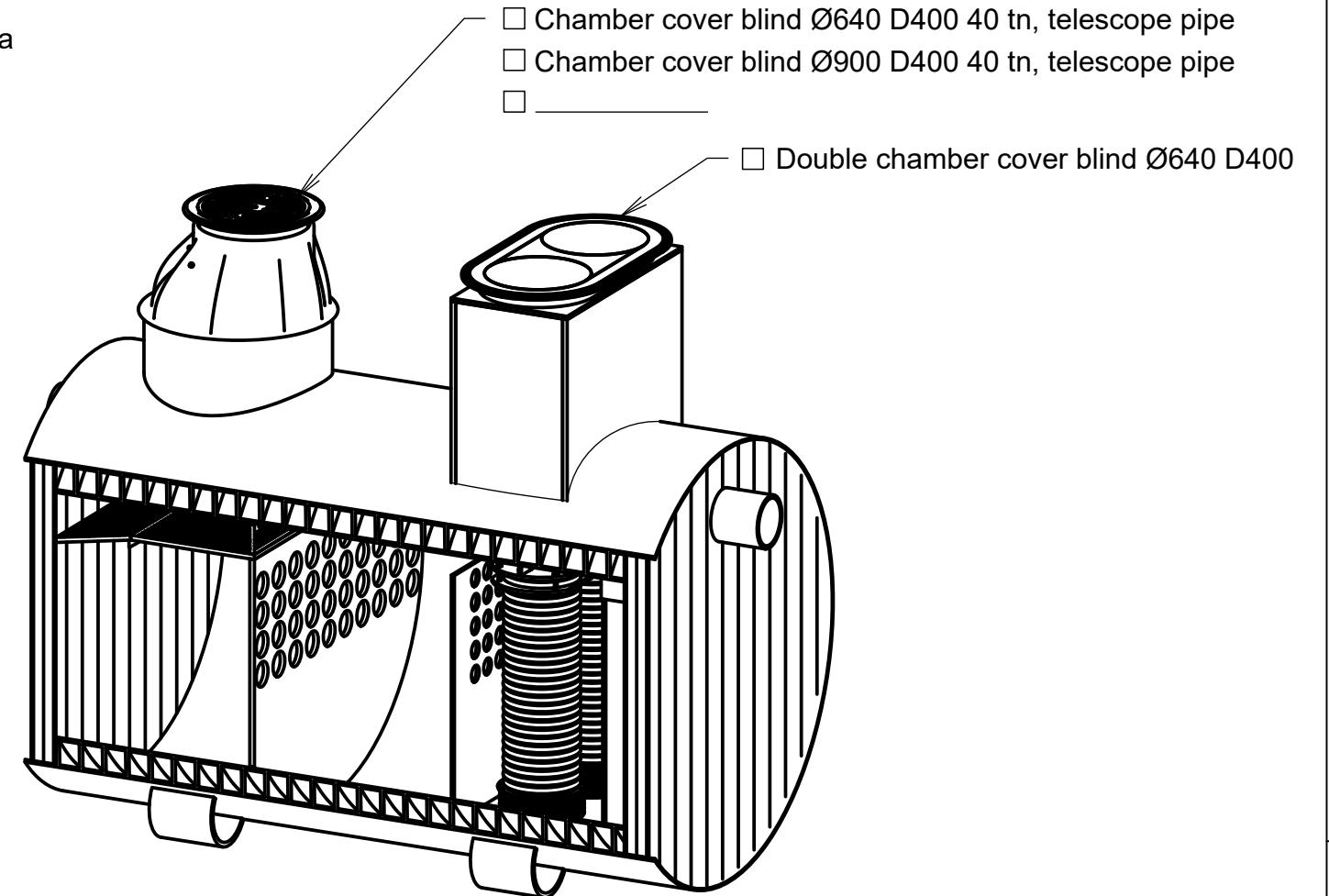


Uponor Stormwise Vault

Traffic area



Flow direction →



Vault							
DN	DN300	DN400	DN500	DN600	DN800	DN1000	DN1200
ID	2400	2400	3000	3000	3000	3500	3500
L (mm)	4000	5000	4000	6000	8000	12000	18000
Max Flow (l/s)	75	150	300	500	1000	1800	3000
Functional Flow (l/s)	7,5	15	30	50	100	180	300
Filter	1,5mx2pce	1,5mx2pce	1,5mx4pce	1,5mx4pce	1,5mx6pce	1,5mx12pce	2,0mx16pce
H	≥3440	≥3440	≥4320	≥4320	≥4320	≥4864	≥4864
h ₁	≥1435	≥1520	≥1620	≥1760	≥1960	≥2210	≥2410
h ₂	≥1445	≥1530	≥1630	≥1770	≥1970	≥2220	≥2420
h ₃	≥800	≥800	≥1000	≥1000	≥1000	≥1000	≥1000

Product information

Connection pipe type and DN: _____

h₁ (mm): _____

h₂ (mm): _____

Groundwater: Yes No

If Yes, SL-GW: _____

Comments: _____

Spareparts

Filters:

- Filter 1,5m: Article number 1135105
- Liters per filter: 130L
- Filter 2,0m: Article number 1135106
- Liters per filter: 180L

CASE NUMBER	DRAWN BY	HANDLED BY
---	---	---
DATE	CONTACT PERSON	
30.09.2022	---	
CONTENT		
Uponor Stormwise Vault		
SCALE	NUMBER	
1:40 (A3)	1138348-T	