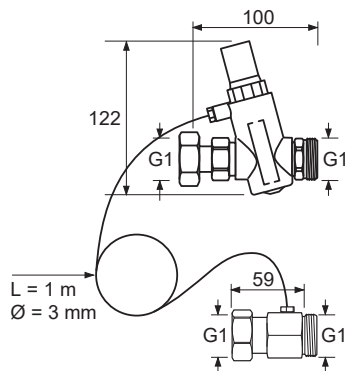
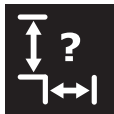
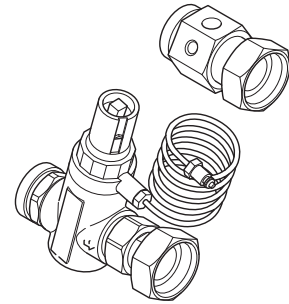


## Uponor Vario differential pressure control 1"



PN 16

$\dot{V} = 15$  to  $1500$  l/h



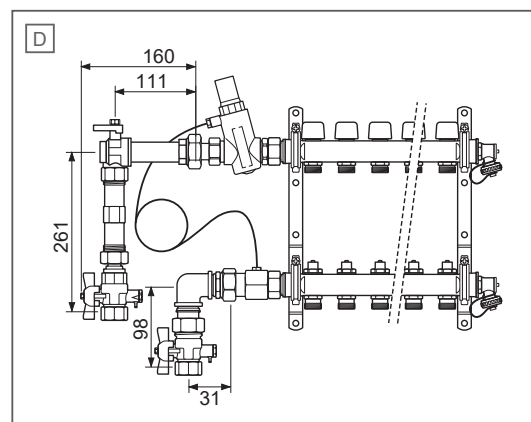
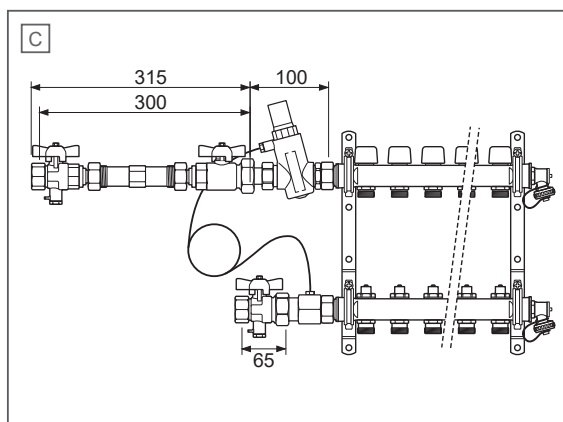
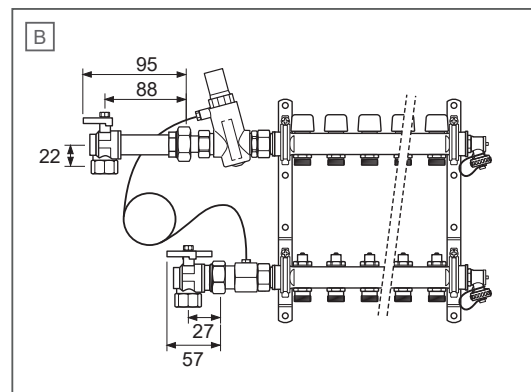
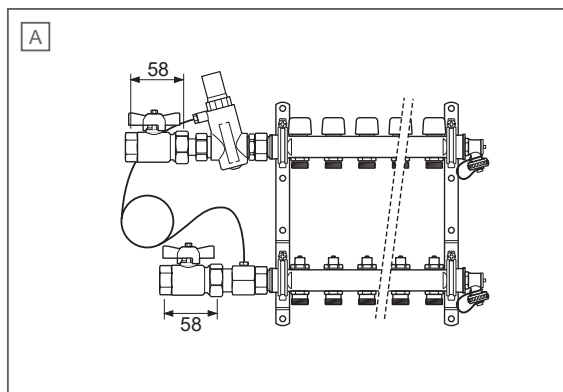
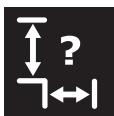
$KVS = 2,4$  m/h

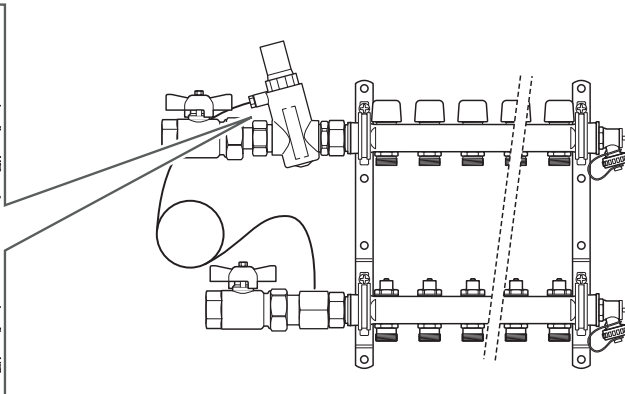
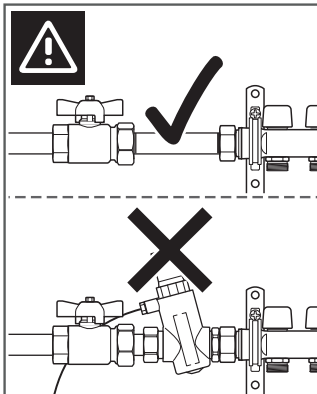
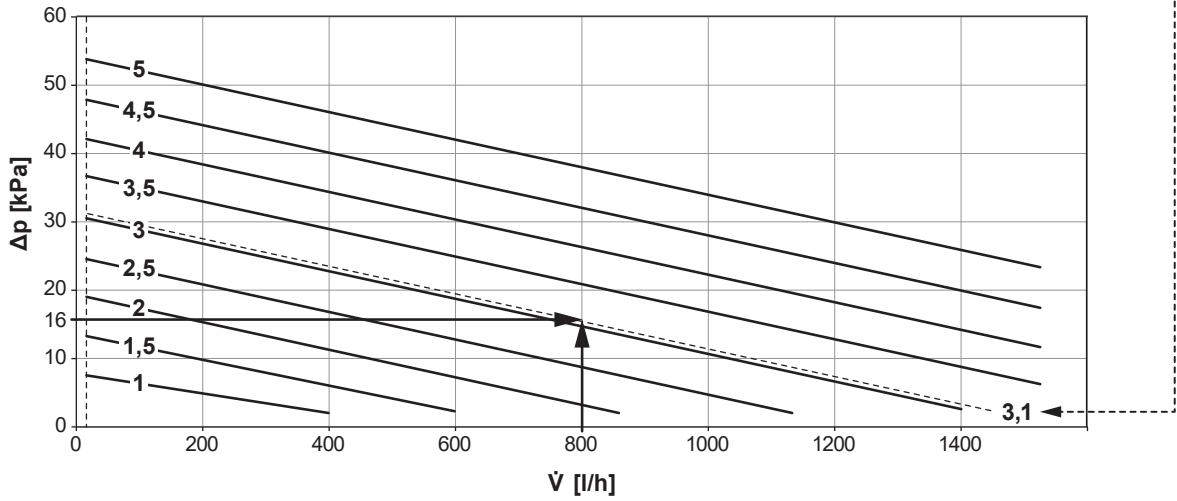
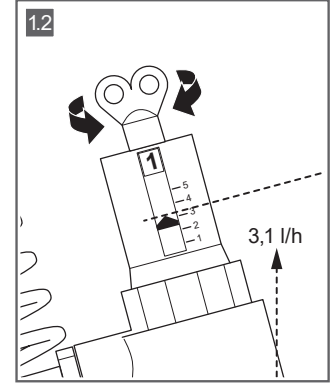
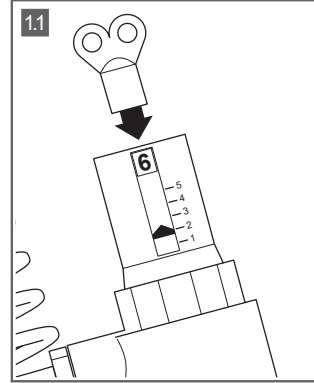
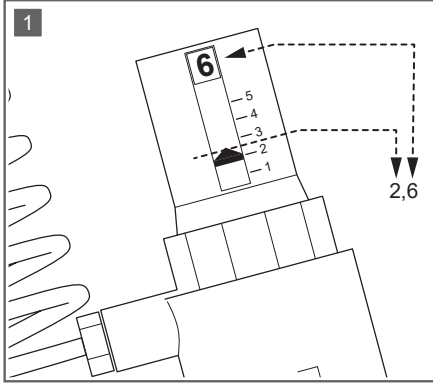
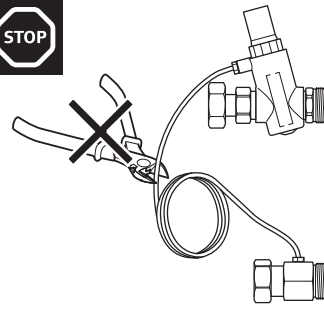
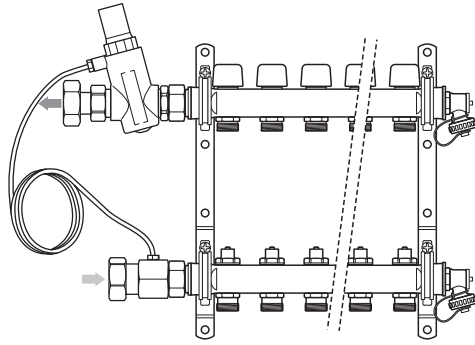


5 to 50 kPa



$\vartheta = -20$  to  $+120^\circ$  C





## Uponor GmbH

Industriestraße 56,  
D-97437 Hassfurt, Germany

1137614 v1\_02\_2023\_INT  
Production: Uponor / SDE\_FM

Uponor reserves the right to make changes, without prior notification, to the specification of incorporated components in line with its policy of continuous improvement and development.



[www.uponor.com](http://www.uponor.com)