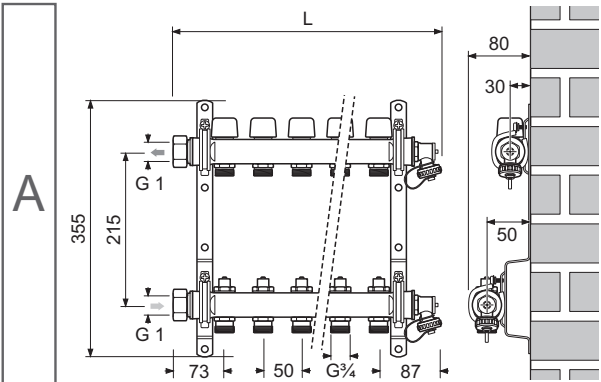
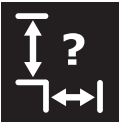
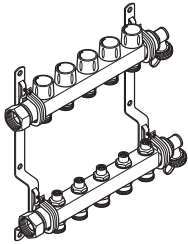
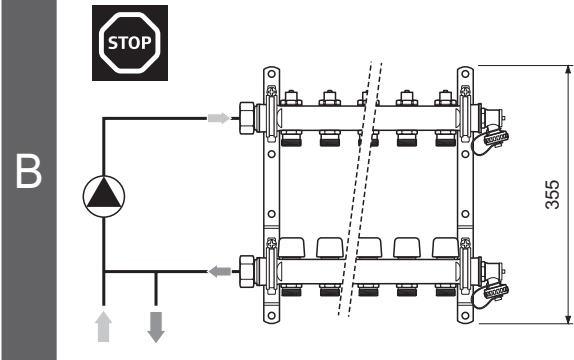


Uponor

Uponor Vario S manifold LS



n	L [mm]	n	L [mm]	n	L [mm]
2	210	7	460	12	710
3	260	8	510	13	760
4	310	9	560	14	810
5	360	10	610	15	860
6	410	11	660	16	910



$\vartheta_{\text{sec}} = 15 - 60^{\circ}\text{C}$



$P_{\text{max}} = 10 \text{ bar}$



$P_{\text{test}} = 13 \text{ bar}$



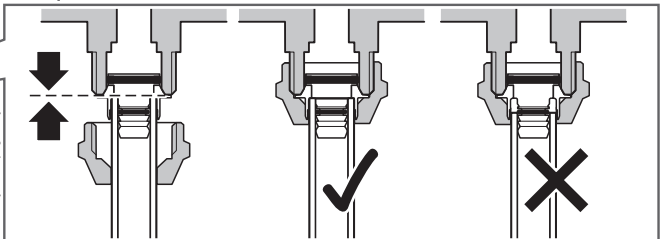
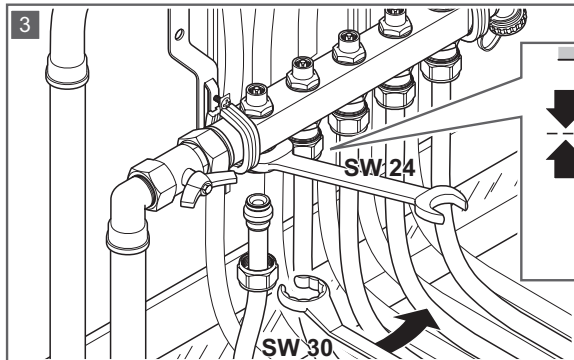
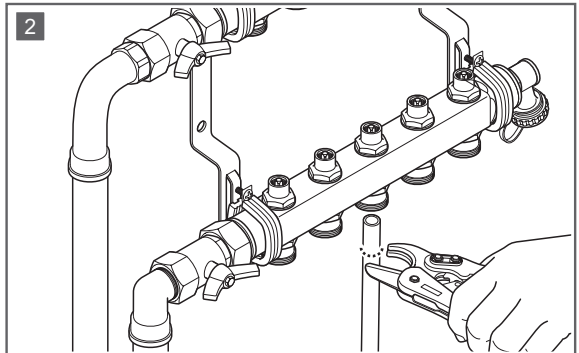
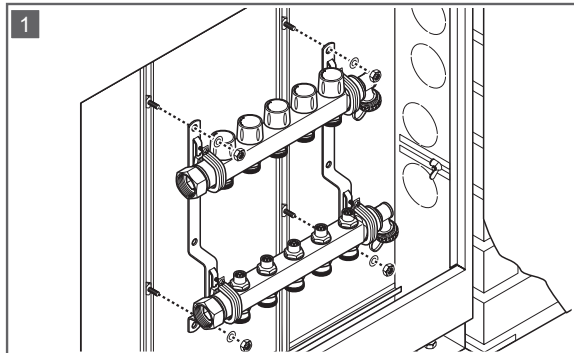
$kvs = 3,82 \text{ m}^3/\text{h}$

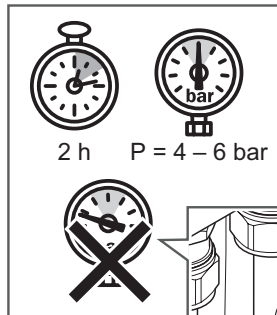
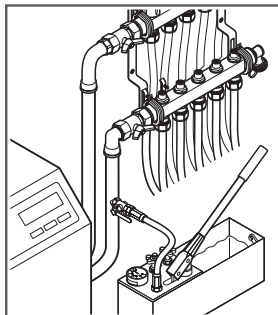
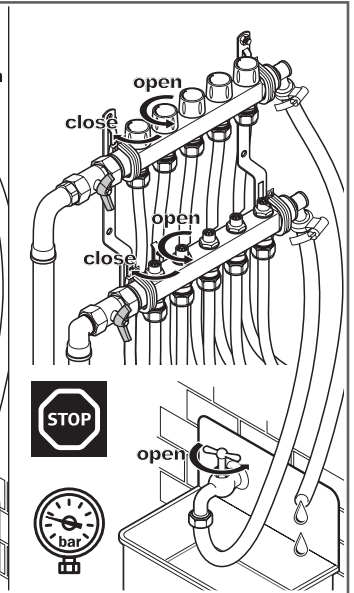
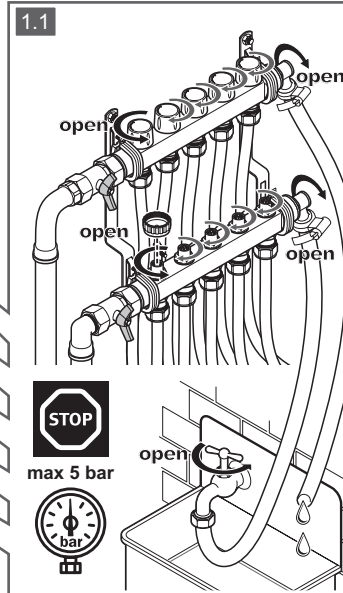
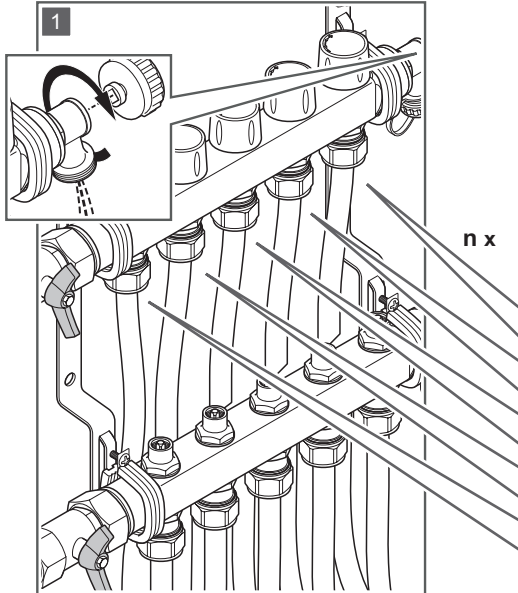
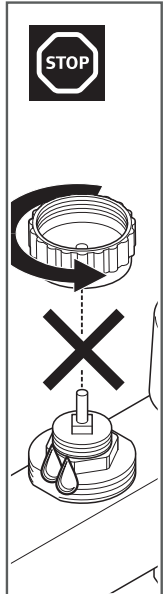
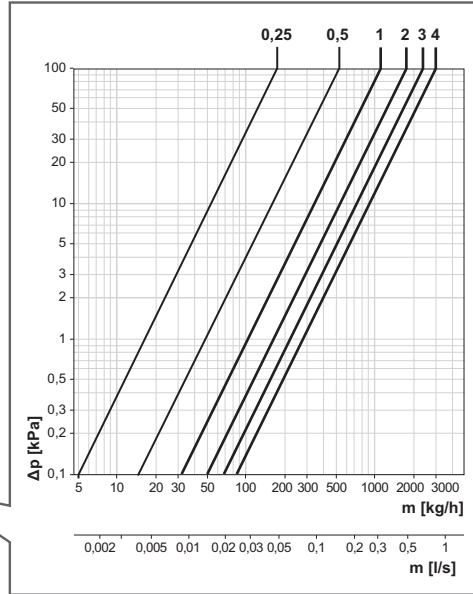
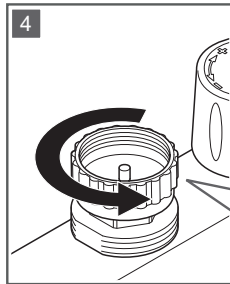
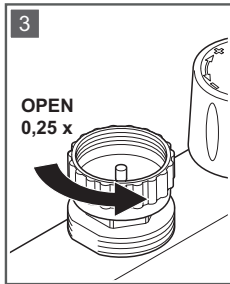
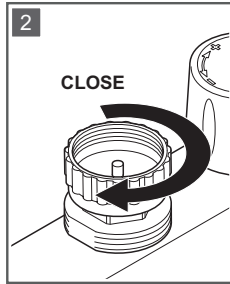
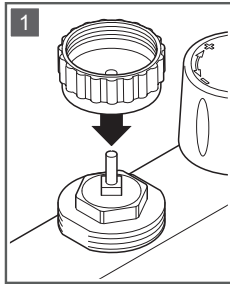


$kvs = 3,1 \text{ m}^3/\text{h}$



$\dot{V}_{\text{max}} = 5 \text{ m}^3/\text{h}$
(12 loops)





Uponor GmbH

Industriestraße 56,
D-97437 Hassfurt, Germany

1087992 v4_05_2023_INT
Production: Uponor / SKA

Uponor reserves the right to make changes, without prior notification, to the specification of incorporated components in line with its policy of continuous improvement and development.



www.uponor.com