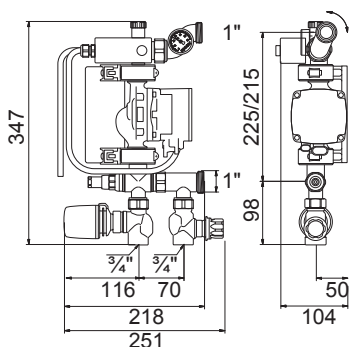
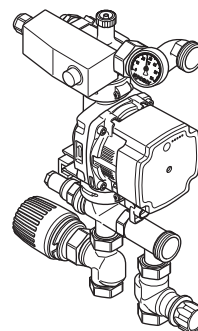


# Uponor

## Uponor Fluvia T pumpgroup KRS 6



$Q_{max} =$   
10 kW



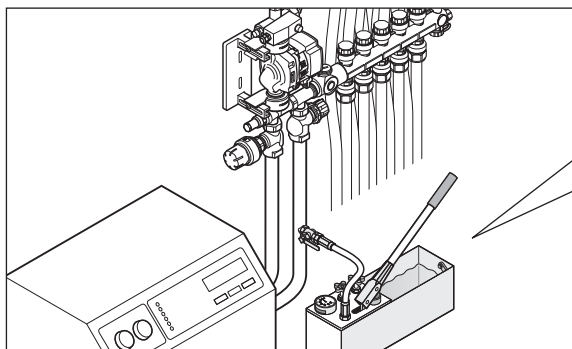
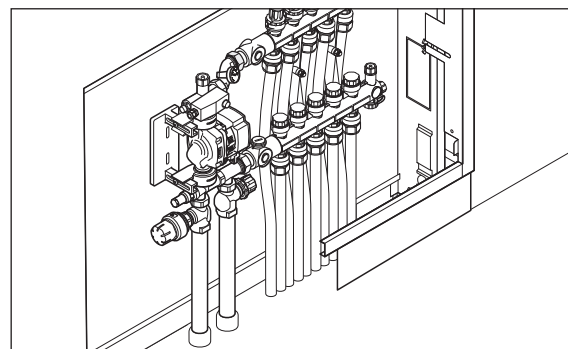
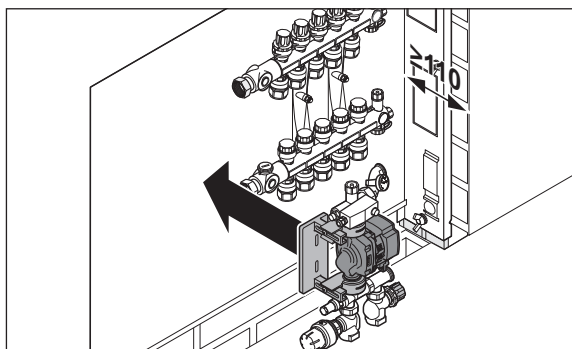
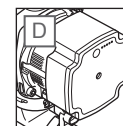
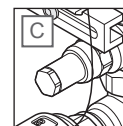
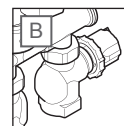
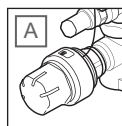
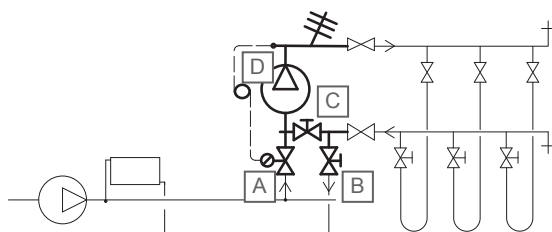
$\theta_{sec} =$   
15 – 55 °C  
 $\theta_{prim} =$   
max 90 °C



kvs =  
1,2 m³/h



$P_{max} =$   
6 bar

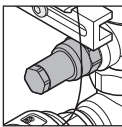
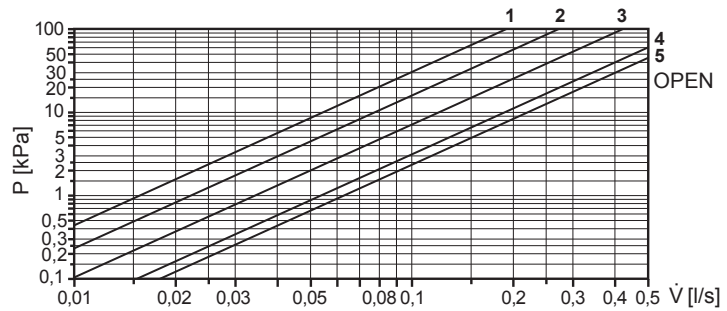
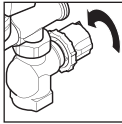
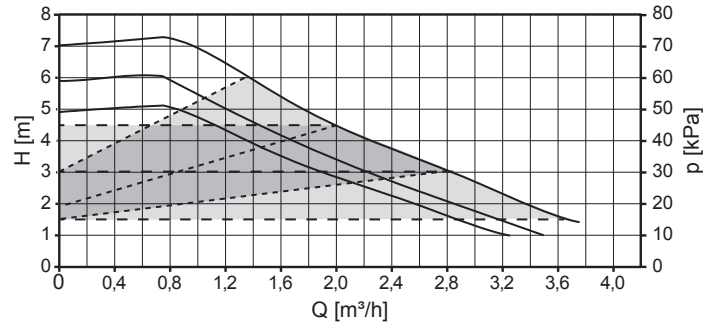
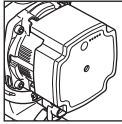


2 h



$P = 4 - 6$  bar





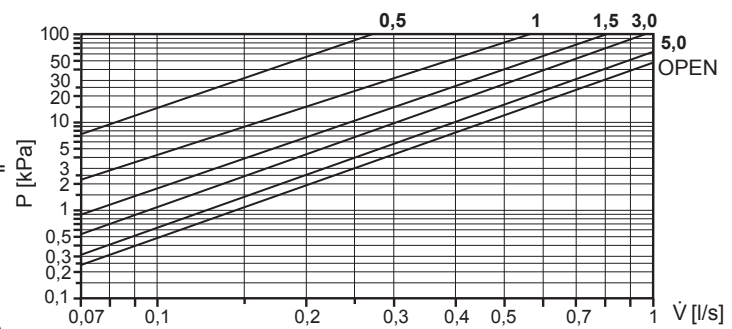
A  
OPEN =  
Standard



B  
CLOSE =  
Flush



C  
100%  
CLOSE



Scale	1	2	3	4	5	6	7	8	9
$\theta_1$ [°C]	20	25	30	34	38	42	46	50	55

## Uponor GmbH

Industriestraße 56,  
D-97437 Hassfurt, Germany

1119799 v3\_12\_2021 INT  
Production: Uponor / SDE

Uponor reserves the right to make changes, without prior notification, to the specification of incorporated components in line with its policy of continuous improvement and development.



[www.uponor.com](http://www.uponor.com)