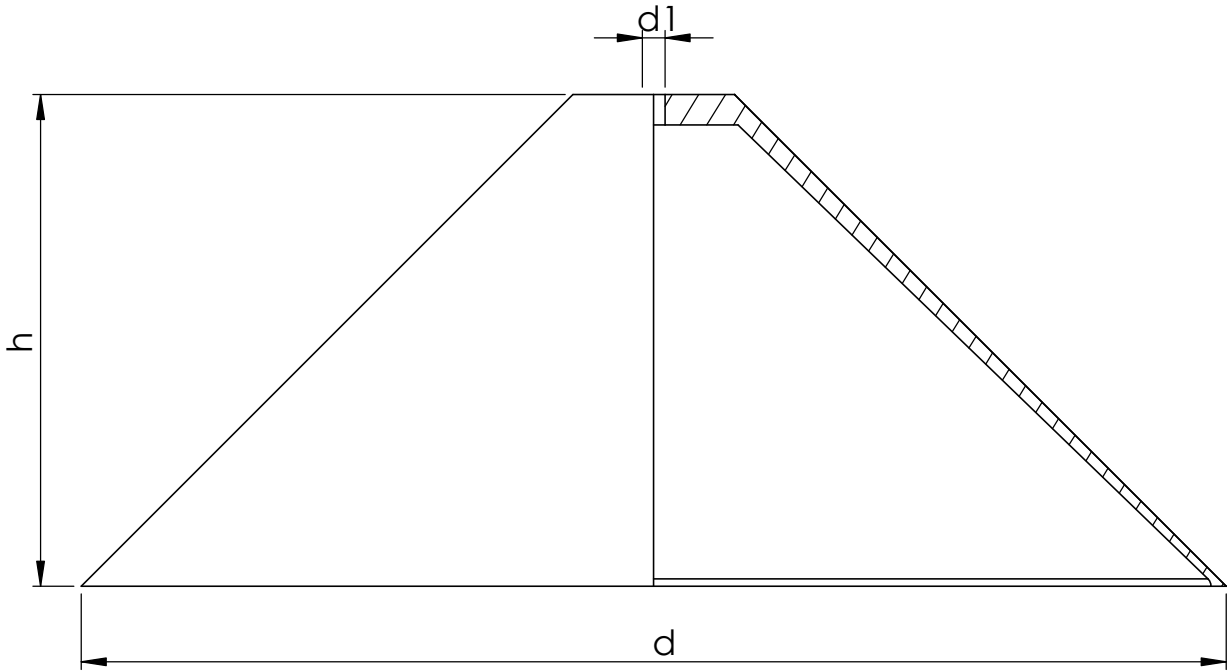


4

3

2

1



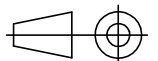
Item	Size	d	d1	h
1050677	315	303	6	130



Description
 INFRA
 Mounting dimensions
 Chamber components

Drawing number
 Z_Chamber_freezing_cover

Sheet: 1/1



4

3

2

1