



# Installation manual

## Pumping chamber



# Contents

1. Intended use.....	3
2. Always follow local regulations .....	3
3. Before installation.....	3
4. Installation.....	3
5. After installation.....	4
6. Service.....	4
7. Technical data.....	4
8. References .....	4
9. Operation journal.....	5

## 1. Intended use

The pumping chamber is used to create a flow from a pipeline, retention tank or a pond. The flow is defined by the pump curve of the chosen pump.

## 2. Always follow local regulations

This document refers to local regulations for infrastructure, listed below:

- Finland: FI FIL77, Infra RYL
- Sweden: AMA Anläggning
- Denmark: DS430 and DS475
- Norway: NPG

## 3. Before installation

When receiving the chambers, handle carefully to avoid damage by lifting equipment.

Never unload by tipping. Check each chamber for transport damage or product flaws.

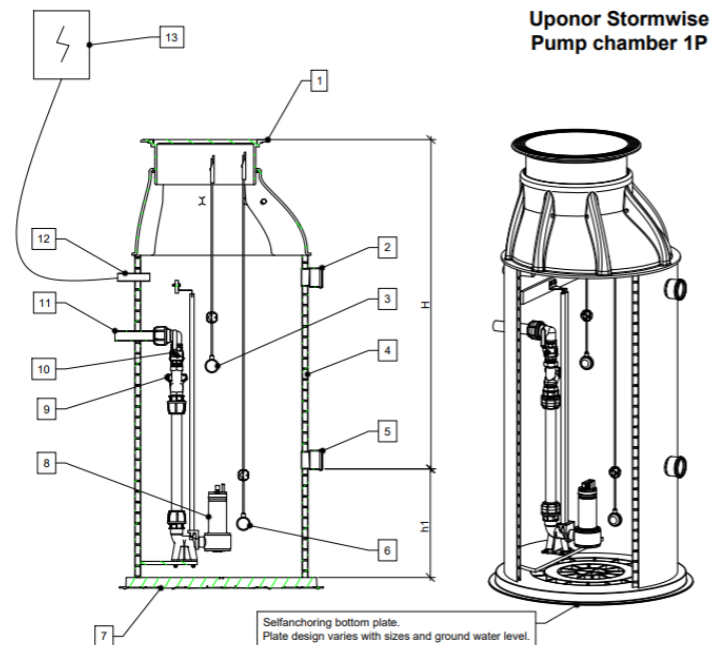
Prepare the storage site so that chambers are stored away from direct sunlight and heat, **set on wooden racks. Do not stack the chambers.**

## 4. Installation

1. Dig the chamber pit to correct depth (non-frost depth).

The chamber height is the distance between the outlet flow line and the ground level. If the chamber has a silt trap, add the trap depth to the total chamber height.

2. Add sand layer to correct chamber invert level. Compact the sand. Make sure the base is level.
3. Install pipe connections.
4. Fill the chamber pit with gravel. Compact in layers up to the top according to local regulations. To prevent sinking, take special care to ensure proper compaction of the backfill material beneath the pipe-chamber joints.
5. Connect the pump to power source according to the instructions of the specific pump.



## **5. After installation**

Make sure that the pump starts and stops at the intended levels and that all connections are tight.

Keep a lid on the chamber and make sure that no unauthorized persons can enter the chamber, by locking the lid.

## **6. Service**

The pump should be maintained and service according to the instruction of the specific pump.

## **7. Technical data**

Drawings and instructions for the specific pump are provided with the chamber when ordering.

## **8. References**

The following documentation is available at [www.uponor.com](http://www.uponor.com) for your reference.

- Uponor Infrastructure Solutions - Technical Handbook



# Moving > Water

**uponor**

**Uponor Corporation**

Ilmalantori 4

00240 Helsinki

Finland

**T** +358 (0)20 129 211

**F** + 358 (0)20 129 2841

[www.uponor.com](http://www.uponor.com)