

4

3

2

1

F

F

E

E

D

D

C

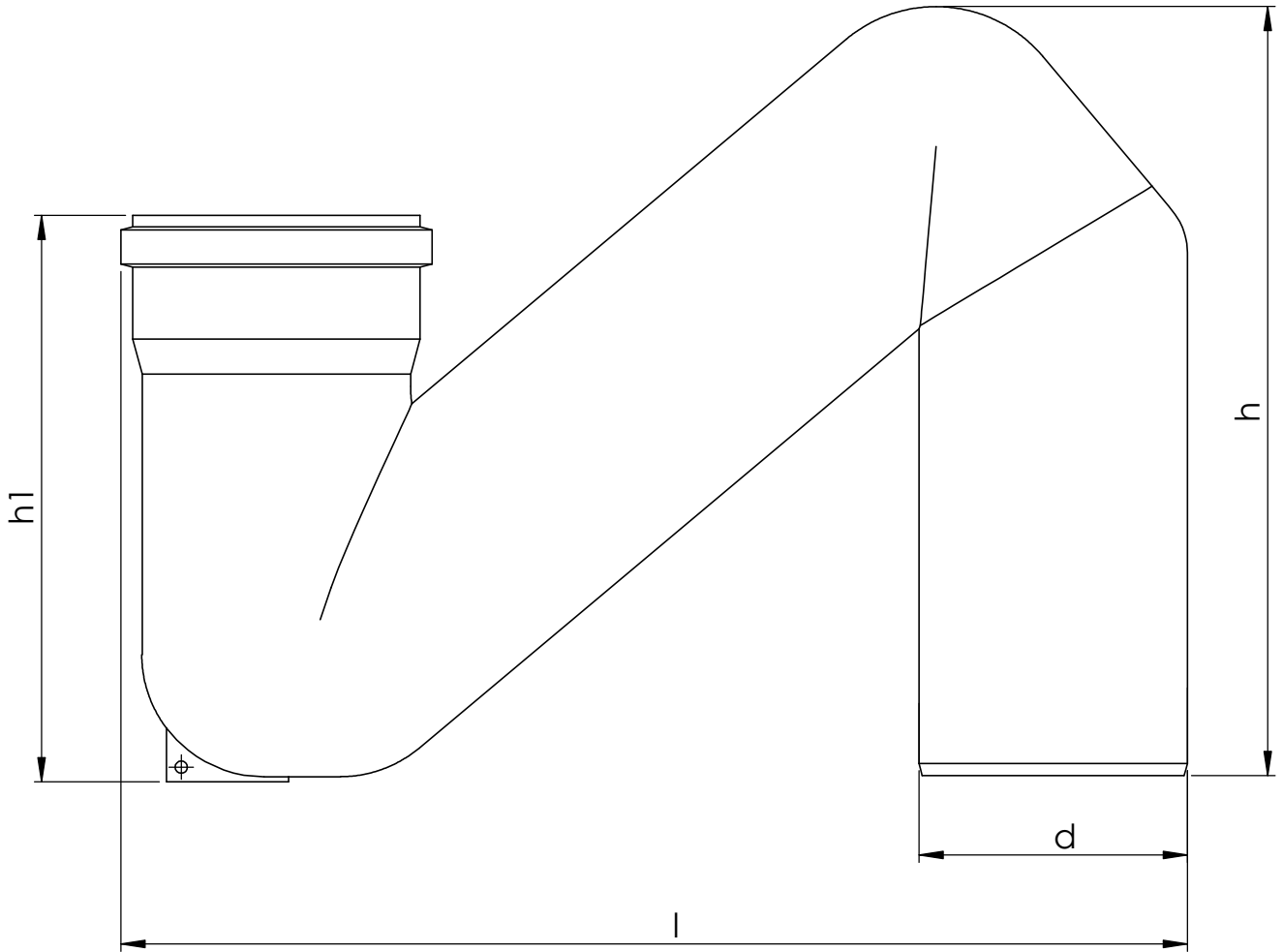
C

B

B

A

A



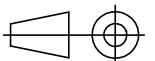
Item	Size	d	l	h	h1
1054411	110	110	437	315	232

**Uponor**

Description  
INFRA  
Mounting dimensions  
Water trap  
Underground drainage

Drawing number  
Z\_Underground\_drainage\_water\_trap\_110

Sheet: 1/1



4

3

2

1