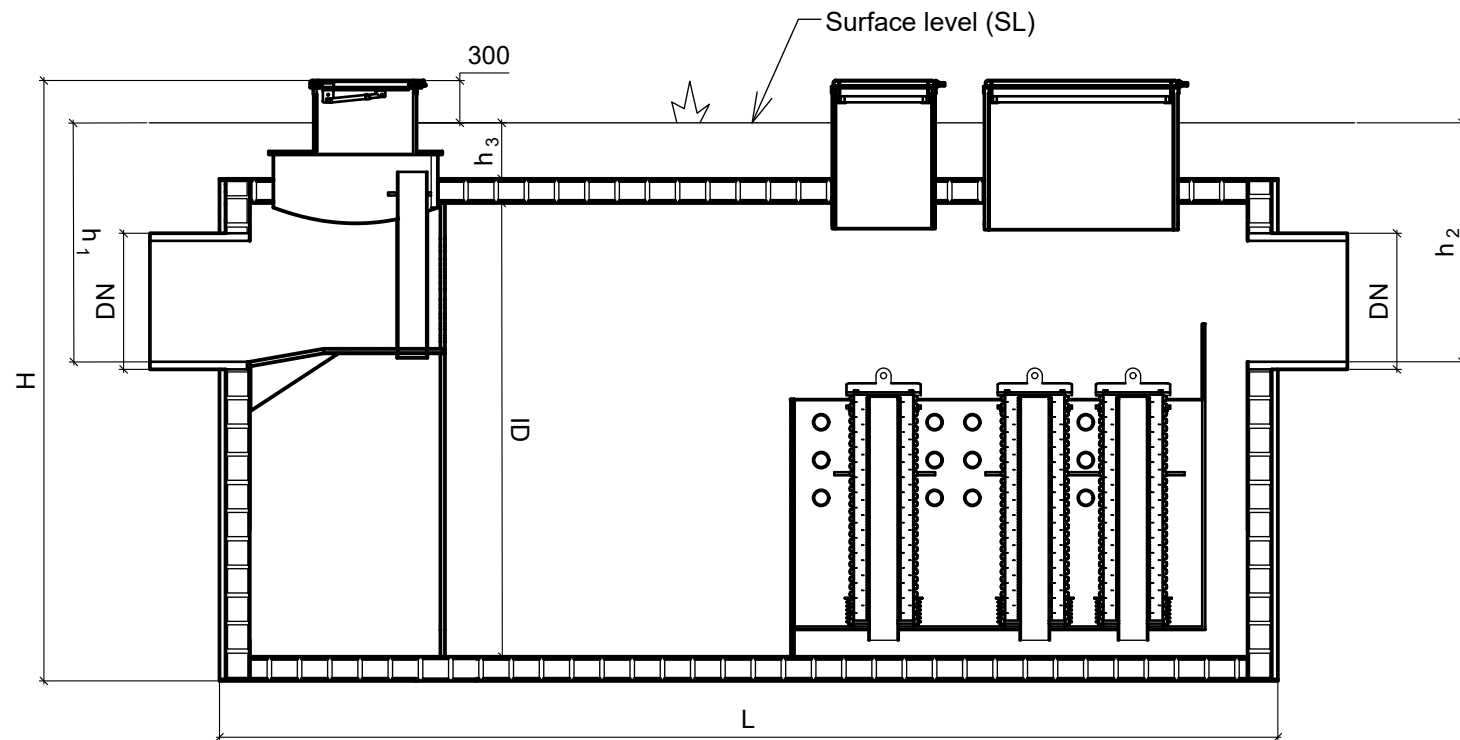
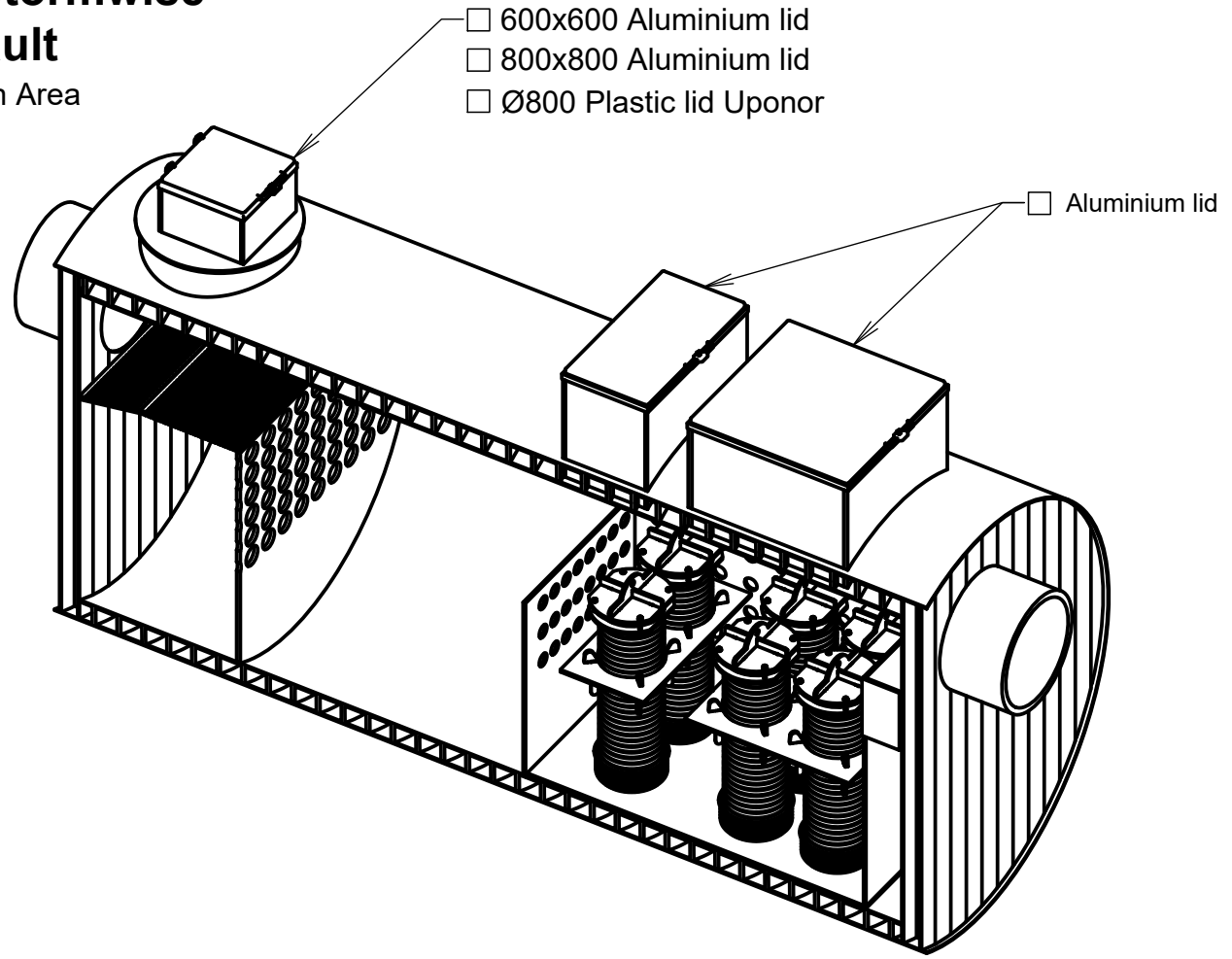


# Uponor Stormwise Vault

Green Area



Flow direction →



## Vault

DN	DN300	DN400	DN500	DN600	DN800	DN1000	DN1200
ID	2400	2400	3000	3000	3000	3500	3500
L (mm)	4000	5000	4000	6000	8000	12000	18000
Max Flow (l/s)	75	150	300	500	1000	1800	3000
Functional Flow (l/s)	7,5	15	30	50	100	180	300
Filter	1,5mx2pce	1,5mx2pce	1,5mx4pce	1,5mx4pce	1,5mx6pce	1,5mx12pce	2,0mx16pce
H	≥3350	≥3400	≥3450	≥4075	≥4075	≥4650	≥4650
h <sub>1</sub>	≥1020	≥1130	≥1230	≥1420	≥1610	≥1900	≥2100
h <sub>2</sub>	≥1020	≥1130	≥1230	≥1420	≥1610	≥1900	≥2100
h <sub>3</sub>	≥400	≥400	≥400	≥400	≥400	≥400	≥400

### Product information

Connection pipe type and DN: \_\_\_\_\_

h<sub>1</sub> (mm): \_\_\_\_\_

h<sub>2</sub> (mm): \_\_\_\_\_

Groundwater: Yes  No

If Yes, SL-GW: \_\_\_\_\_

Comments: \_\_\_\_\_

### Spareparts

Filters:

- Filter 1,5m: Article number 1135105  
- Liters per filter: 130L
- Filter 2,0m: Article number 1135106  
- Liters per filter: 180L

CASE NUMBER	DRAWN BY	HANDLED BY
DATE	CONTACT PERSON	
03.02.2023	---	
CONTENT		
Uponor Stormwise Vault		
SCALE	NUMBER	
1:50 (A3)	1138348-G	