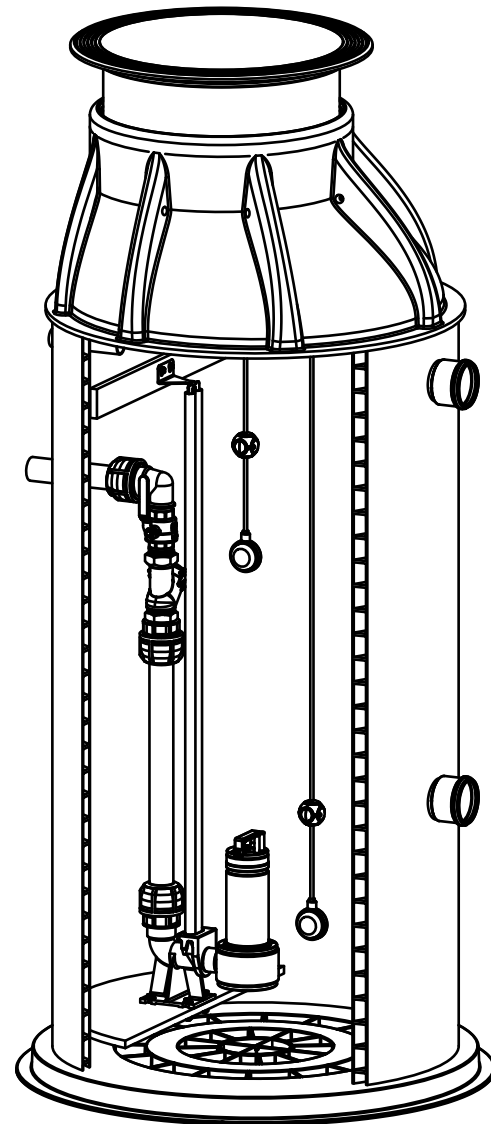
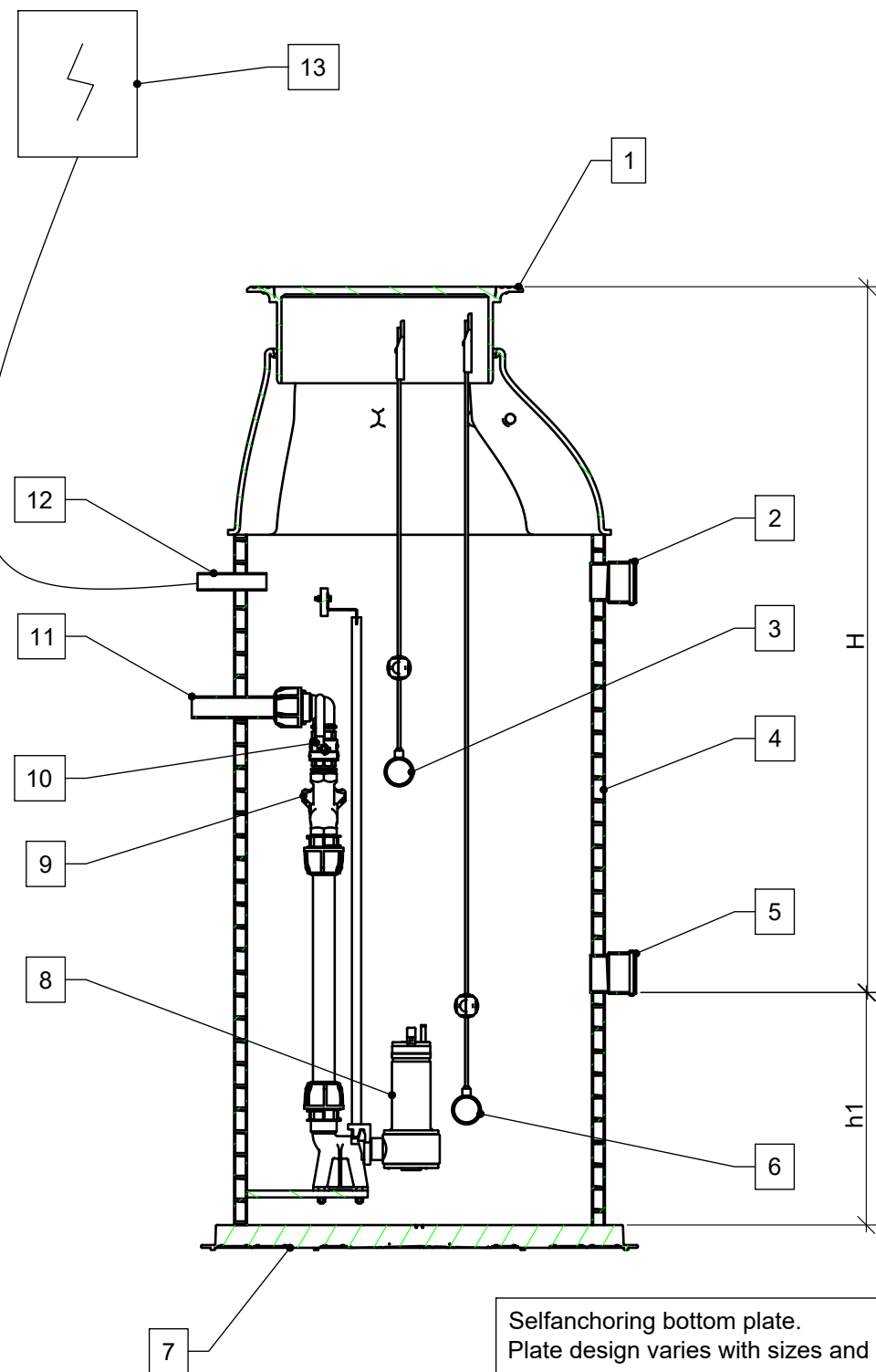


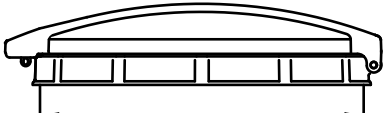

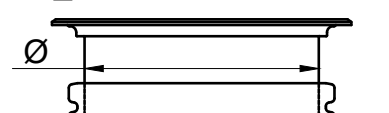
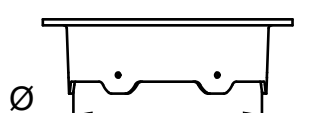
Uponor Stormwise Pump chamber 1P




Selfanchoring bottom plate.
Plate design varies with sizes and ground water level.

| Storm pump chamber | | | |
|--------------------|--------------------------|---|------|
| Pos. | Description | Model/Size | Qty. |
| | Height: H | _____ m | |
| | Storage volume: h1 | _____ m | |
| 1 | Cover | () A () B () D () E | 1 |
| 2 | Ventilation | D110 () YES () NO | |
| 3 | Overflow switch | MAC 5 | 1 |
| 4 | Chamber body PE100 | () 800 () 1000 () 1200 () 1250 () 1400 () 1600 () 1800 () 2000 () 2400 () 3000 () 3400 () 3500 () Other_____ | 1 |
| 5 | Inlet connection | DN_____ | |
| 6 | Start/Stop level switch | MAC 3 | 1 |
| 7 | Bottom plate | Self anchoring Groundwater level below ground: _____m | 1 |
| 8 | Pump | Flow:_____ Head:_____ | 1 |
| 9 | Backflow valve | | 1 |
| 10 | Valve | | 1 |
| 11 | Outlet pipe | DN_____ | 1 |
| 12 | Electrical cable passing | DN50 | 1 |
| 13 | Control unit | () Indoor () Outdoor | |

Other information

| | | | |
|--|----------|--|----------|
| <input type="checkbox"/> Ø 860/800 <input type="checkbox"/> Safety gritt | A | <input type="checkbox"/> 600X600 aluminium <input type="checkbox"/> 800X800 aluminium | B |
|  | |  | |
| <input type="checkbox"/> Ø600 cast iron 40tn <input type="checkbox"/> Ø630 cast iron 40tn <input type="checkbox"/> Without cast iron cover | D | <input type="checkbox"/> Ø630 cast iron 40tn 0,75m <input type="checkbox"/> Ø800 cast iron 40tn 0,75m | E |
|  | |  | |



| | | | |
|--------------|----------------|------------|--|
| CASE NUMBER | DRAWN BY | HANDLED BY | |
| DATE | CONTACT PERSON | | |
| 31.01.2023 | --- | | |
| CONTENT | | | |
| Pump chamber | | | |
| SCALE | | NUMBER | |
| 1:20 (A3) | | 1139925 | |