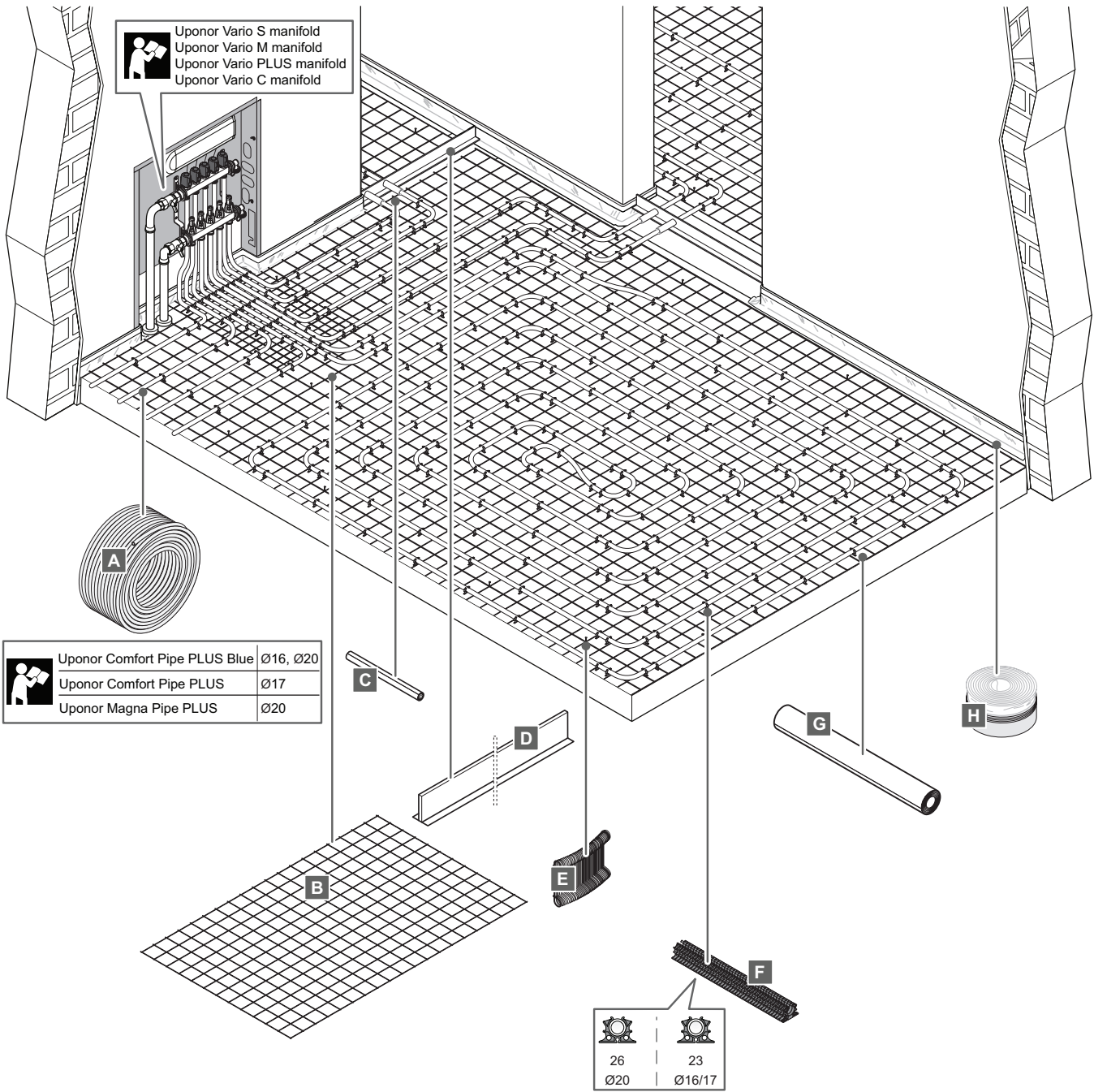
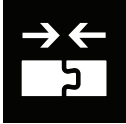


## Uponor Classic





**1**

**i**

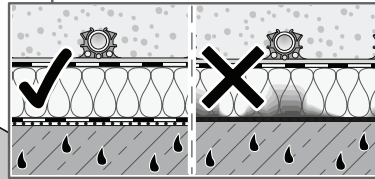
EN 18202

l (m)	0,1	1	4	10	15
t (mm)	5	8	12	15	20

**2**

$\geq 80 \text{ mm}$

**G**



**3**

**I**

**4**

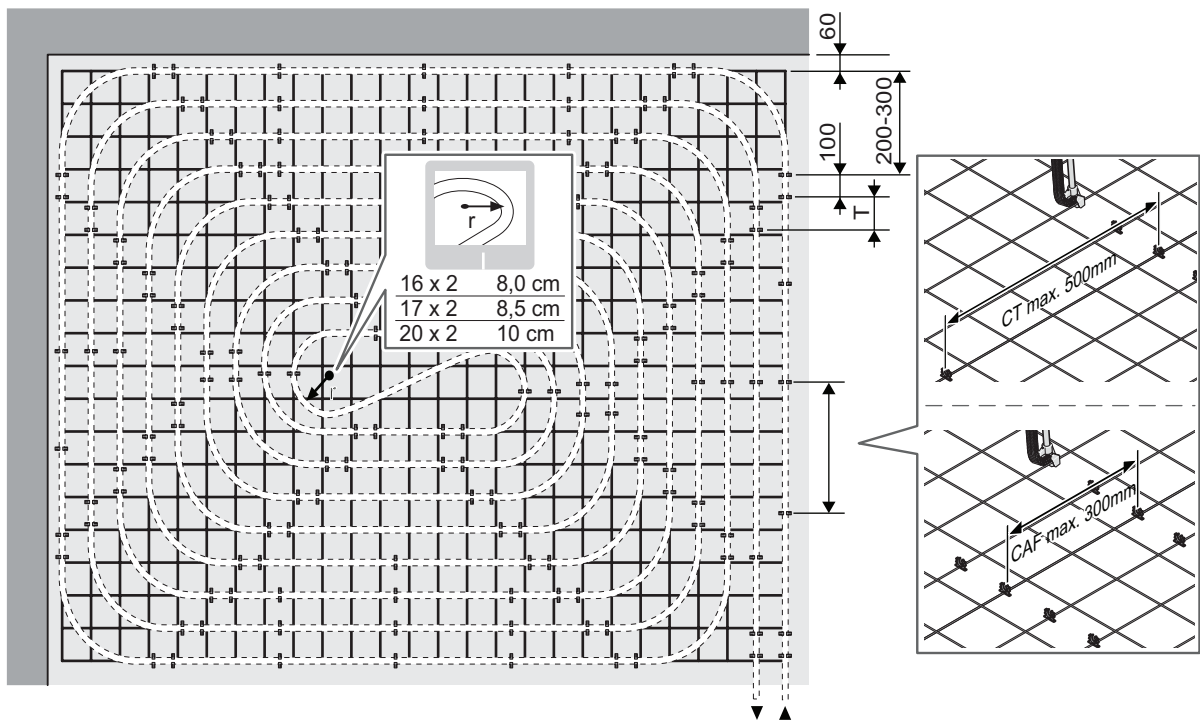
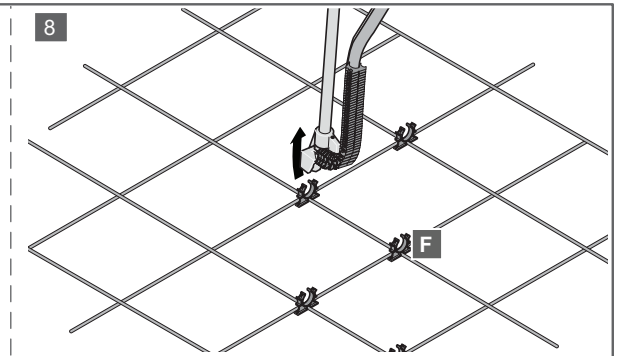
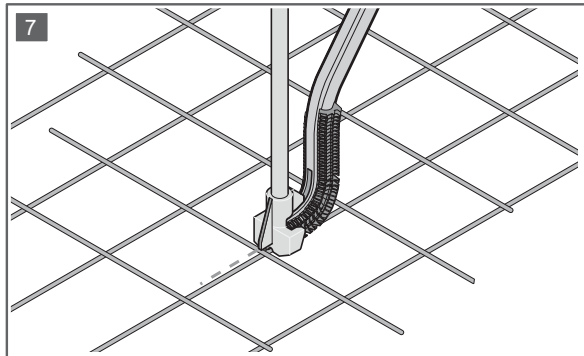
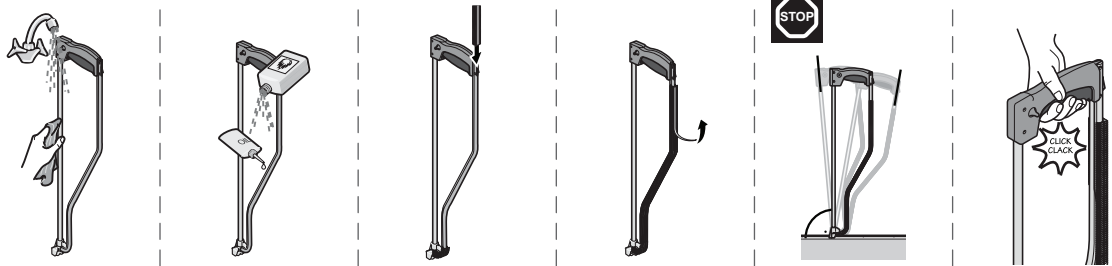
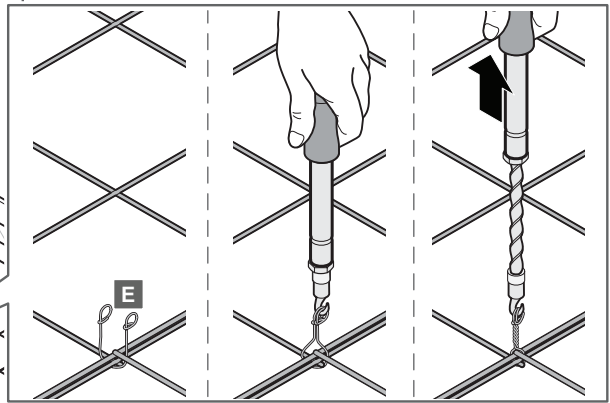
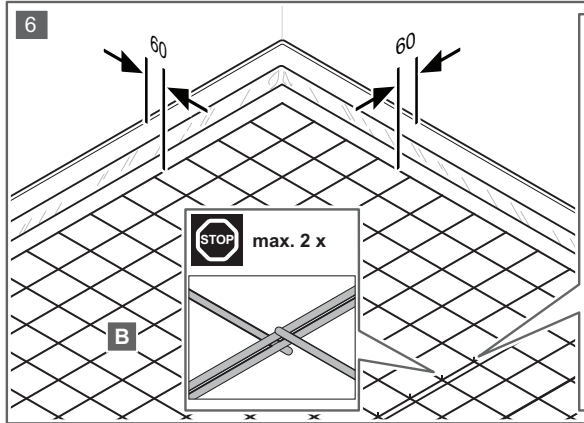
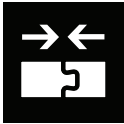
**H**

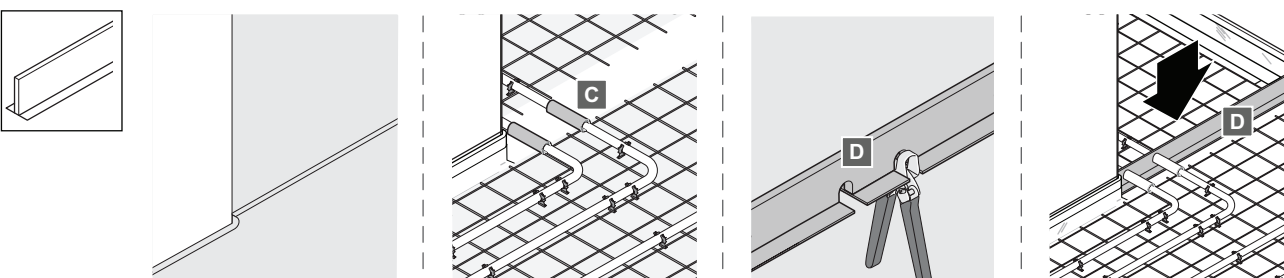
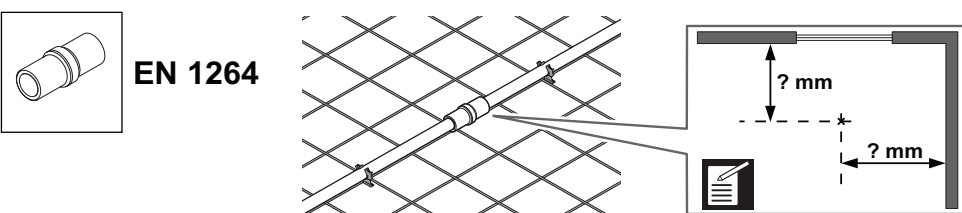
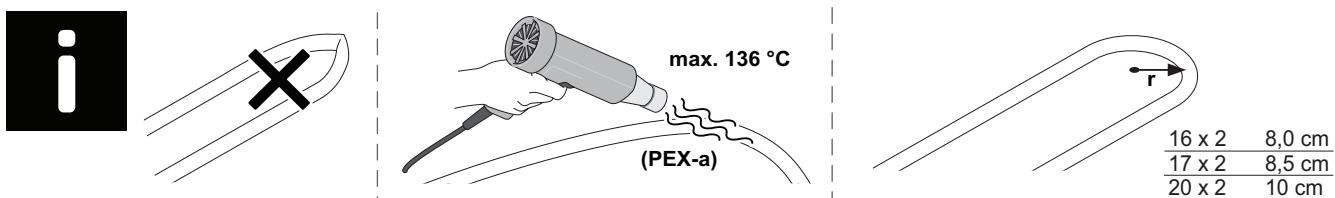
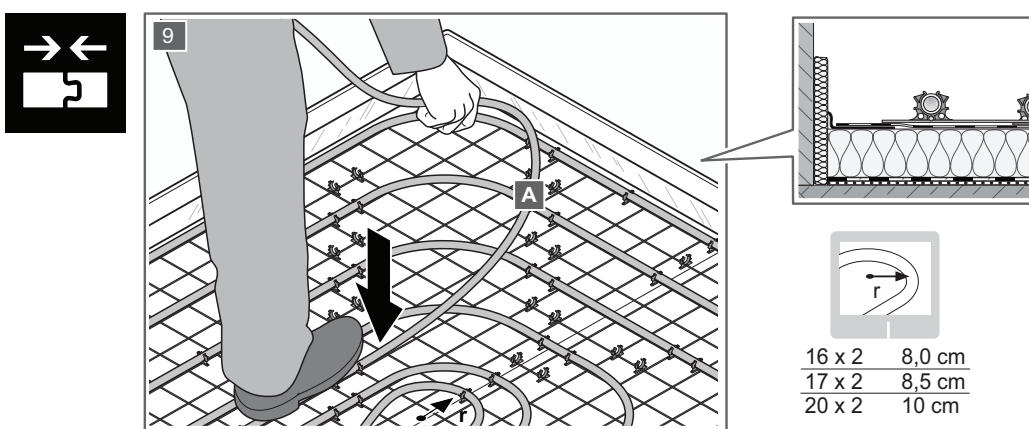
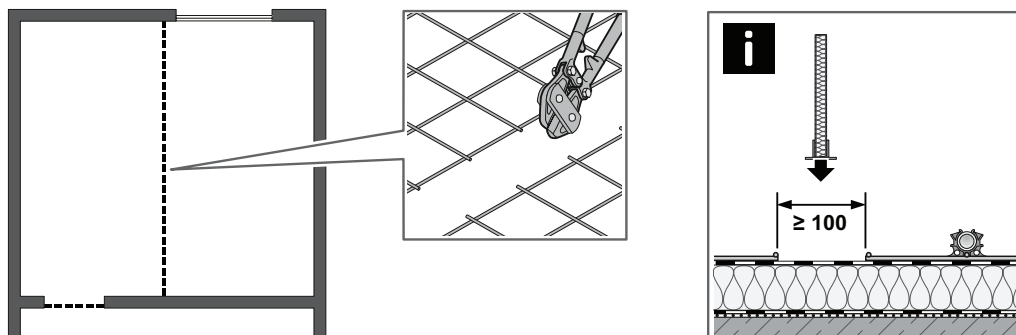
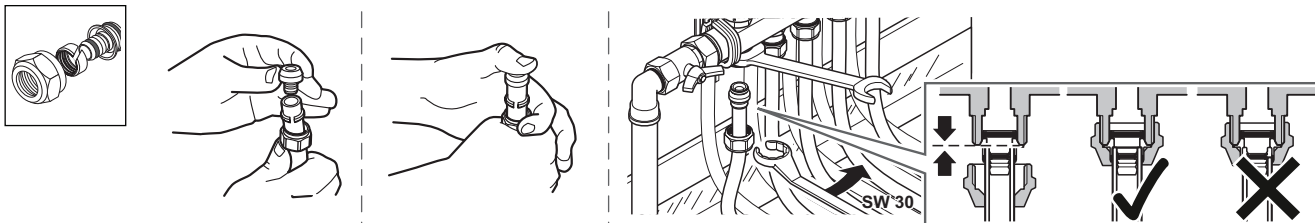
**5**

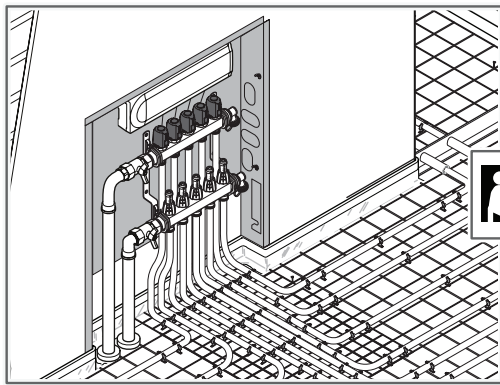
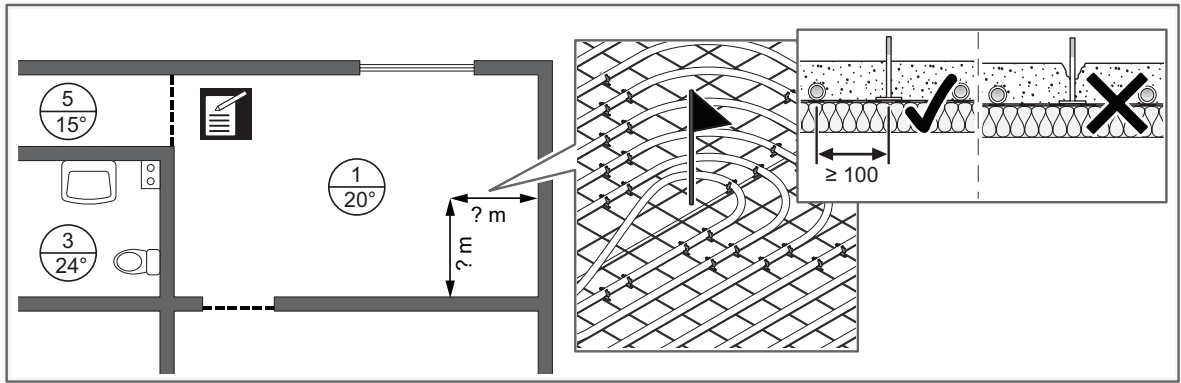
$\geq 80 \text{ mm}$

0,2 mm

**G**



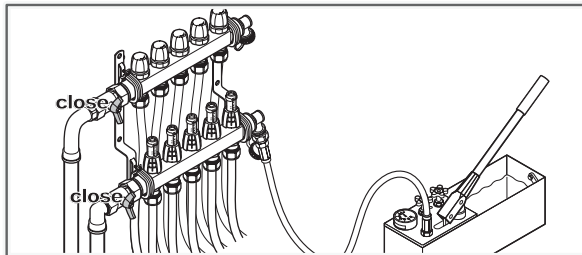





 Uponor Vario S manifold  
 Uponor Vario M manifold  
 Uponor Vario PLUS manifold  
 Uponor Vario C manifold



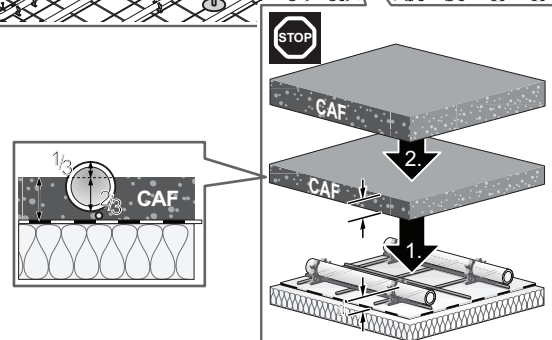
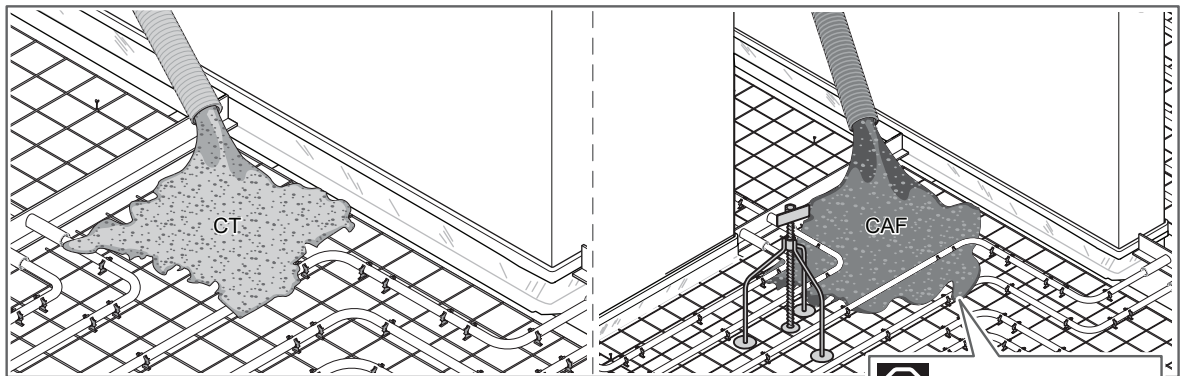
[www.uponor.com/services/download-centre](http://www.uponor.com/services/download-centre)



2 h



P = 4 – 6 bar



**Uponor GmbH**

Industriestraße 56,  
D-97437 Hassfurt, Germany

1022254 v2\_02\_2025  
Production: Uponor / SKA\_ASP

Uponor reserves the right to make changes, without prior notification,  
to the specification of incorporated components in line with its policy  
of continuous improvement and development.



[www.uponor.com](http://www.uponor.com)