

4

3

2

1

F

F

E

E

D

D

C

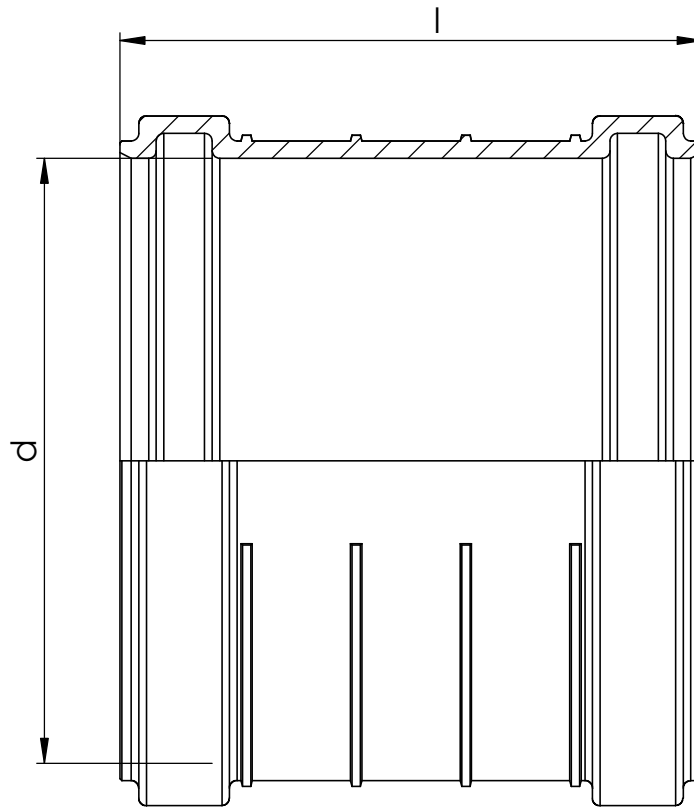
C

B

B

A

A



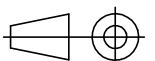
Item	Size	l	d
1050083	160	154	160
1050081	110	125	110

**Uponor**

Description  
INFRA  
Mounting dimensions  
Wall protection sleeve  
Underground drainage

Drawing number  
Z\_Underground\_drainage\_wall\_protection\_sleeve

Sheet: 1/1



4

3

2

1