

4

3

2

1

F

F

E

E

D

D

C

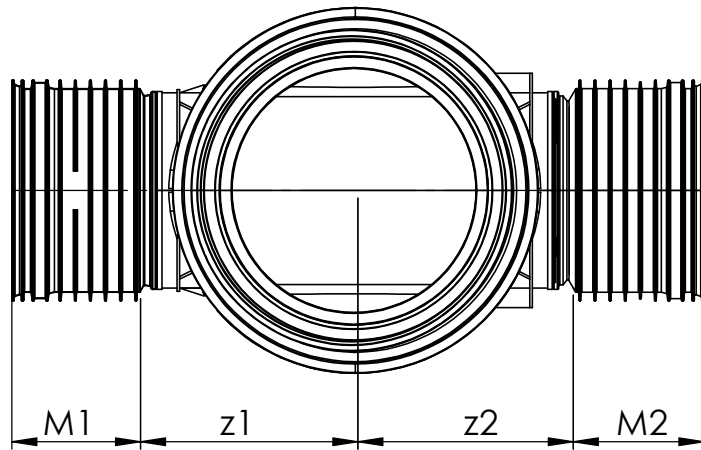
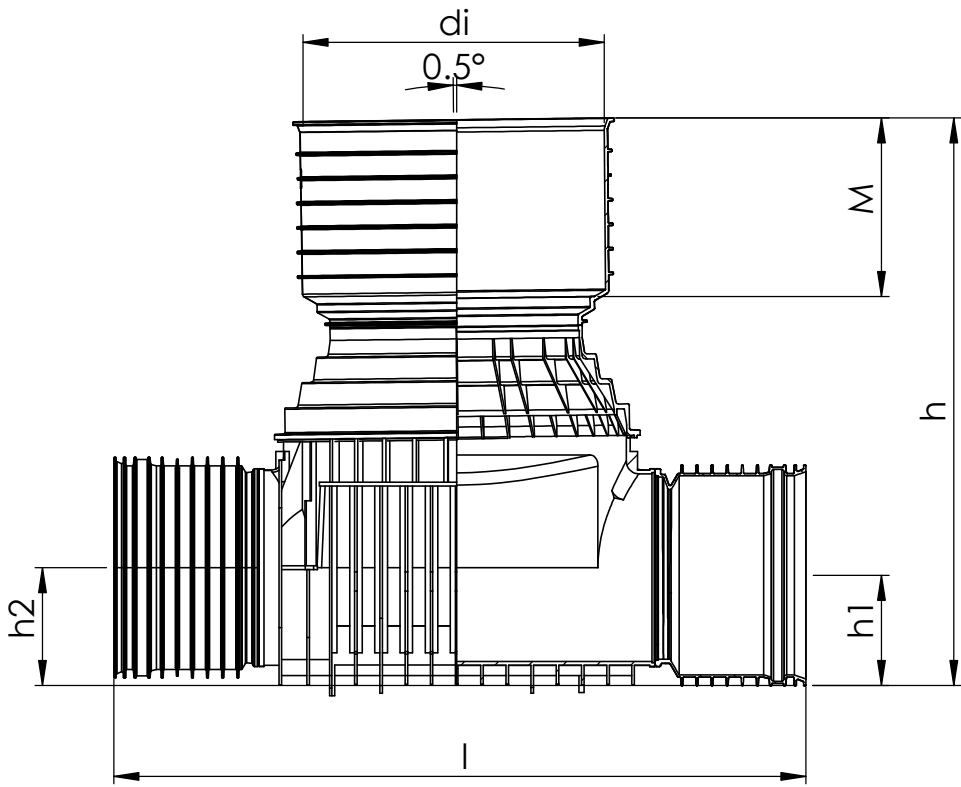
C

B

B

A

A

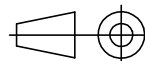


Item	Size	d_i	l	h	h_1	h_2	M	M_1	M_2	z_1	z_2
1054212	425/315	425	1098	902	175	187	283	204	207	345	342



Description
 INFRA
 Mounting dimensions
 Sewer inspection chamber packages

Drawing number
 Z_Sewer_chamber_T1_425_315



Sheet: 1/1

4

3

2

1