

4

3

2

1

F

F

E

E

D

D

C

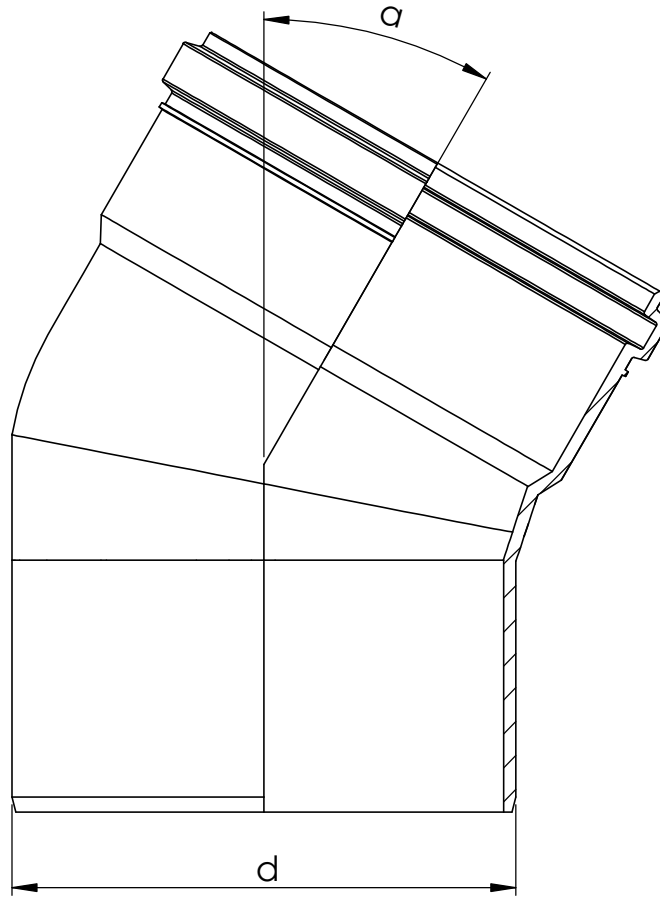
C

B

B

A

A



| Item | Size | d | α |
|---------|------|-----|----------|
| 1120446 | 200 | 200 | 30° |
| 1120450 | 250 | 250 | 30° |
| 1120454 | 315 | 315 | 30° |

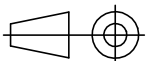
Uponor

Description
INFRA
Mounting dimensions
Bend 30°
Underground drainage

Drawing number

Z_Underground_drainage_bend_30_deg_200_315

Sheet: 1/1



4

3

2

1