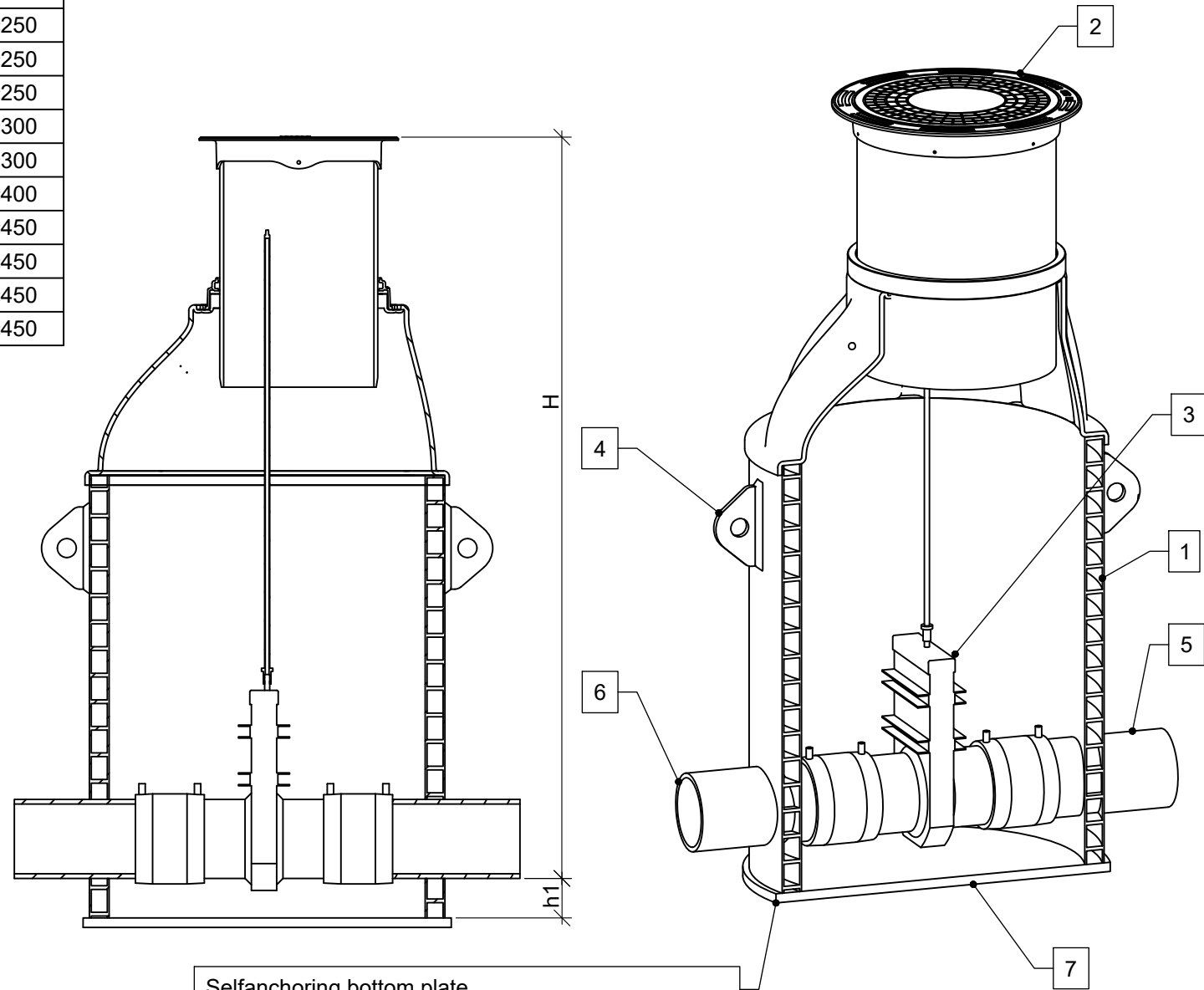


DN	ID	H	h <sub>1</sub>
DN100	≥800	≥500	≥150
DN125	≥800	≥550	≥150
DN150	≥800	≥600	≥150
DN200	≥800	≥700	≥150
DN250	≥1000	≥800	≥200
DN300	≥1000	≥900	≥200
DN400	≥1200	≥1100	≥250
DN450	≥1200	≥1200	≥250
DN500	≥1200	≥1250	≥250
DN560	≥1600	≥1400	≥300
DN600	≥1600	≥1500	≥300
DN700	≥1800	≥1850	≥400
DN800	≥2000	≥1950	≥450
DN900	≥2000	≥2150	≥450
DN1000	≥2400	≥2400	≥450
DN1200	≥2400	≥2700	≥450

## Uponor Stormwise Valve chamber



Selfanchoring bottom plate.  
Plate design varies with sizes and ground water level.

Sluice gate chamber			
Pos.	Description	Model/Size	Qty.
1	Chamber body PE100	Acc. selection	1
2	Chamber top	Acc. selection	1
3	Valve	Acc. selection	1
4	Lifting yoke		2-4
5	Outlet pipe	Acc. selection	1
6	Inlet pipe	Acc. selection	
7	Bottom, self anchoring	Acc. selection	1

Selections	
Feature	Selection
Chamber body diameter	<input type="checkbox"/> 800 <input type="checkbox"/> 1000 <input type="checkbox"/> 1200 <input type="checkbox"/> 1250 <input type="checkbox"/> 1400 <input type="checkbox"/> 1600 <input type="checkbox"/> 1800 <input type="checkbox"/> 2000 <input type="checkbox"/> 2400 <input type="checkbox"/> 3000 <input type="checkbox"/> 3400 <input type="checkbox"/> 3500 <input type="checkbox"/> Other _____
Top solution	<input type="checkbox"/> A <input type="checkbox"/> B <input type="checkbox"/> D <input type="checkbox"/> E
Groundwater level above invert	<input type="checkbox"/> YES <input type="checkbox"/> NO _____ m
Gate valve size and specification	
Inlet type and diameter	DN = _____ mm Type: _____
Outlet type and diameter	DN = _____ mm Type: _____
Other information	

<input type="checkbox"/> Ø 860/800 <input type="checkbox"/> Safety gritt	<b>A</b>	<input type="checkbox"/> 600X600 aluminium <input type="checkbox"/> 800X800 aluminium	<b>B</b>
<input type="checkbox"/> Ø600 cast iron 40tn <input type="checkbox"/> Ø630 cast iron 40tn <input type="checkbox"/> Without cast iron cover	<b>D</b>	<input type="checkbox"/> Ø630 cast iron 40tn 0,75m <input type="checkbox"/> Ø800 cast iron 40tn 0,75m	<b>E</b>

**uponor**

CASE NUMBER	DRAWN BY	HANDLED BY
DATE	CONTACT PERSON	
CONTENT		
Valve chamber		
SCALE	NUMBER	
1:20 (A3)	1138352-VC	