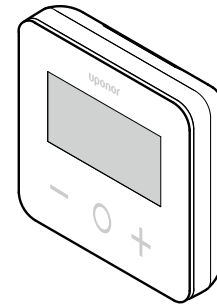


Uponor Base thermostat display T-27 230V



IC0000041



CD0000489

Uponor Base thermostat display T-27 230V (thermostat T-27) comes with a big LCD display and capacitive keys.

The temperature is displayed in large digits for easy readability also from a distance.

The capacitive keys and the front glass make cleaning of the front of the thermostat easy.

A special electronics (triac) ensures that the thermostat is operating completely noiseless and provides highest comfort in all rooms.

Thermostat features

Main characteristics for the thermostat:

- Mounting
 - on wall
 - on standard European patress box/flush mounting box
- Noiseless switching (triac)
- Can supply up to 5 actuators with power
- Optional: an external temperature sensor can be connected to the thermostat, to measure the room or floor temperature

Software features

Main characteristics of the thermostat software:

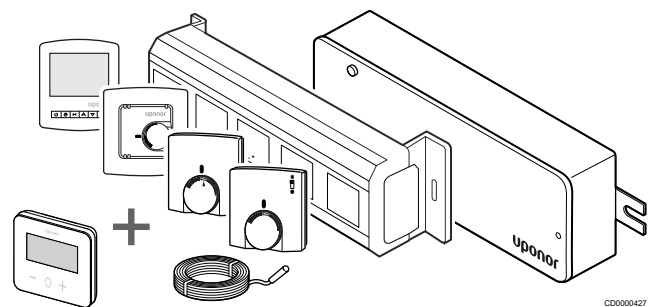
- Temperature limitation
- Optional floor sensor connectivity
- Heating/cooling switch
- Regulation modes
 - **rt**: room temperature
 - **rS**: external sensor temperature
 - **rFt**: room temperature with floor temperature limitation
- Comfort/ECO modes
- Demand indication in the display
- Calibration
- Valve exercise - triggers the actuator valve to open for 2 minutes if the actuator has been closed for 3 days (72 hours)
- Factory reset

System compatibility



Note

For more detailed information, product range and documentation please visit the Uponor website: www.uponor.com.

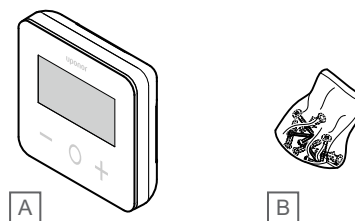


CD0000427

The thermostat T-27 is compatible with the current Uponor Base control system 230 V, the Uponor Base flexiboard controllers (X-24/X-25/X-26/X-27), the Uponor Base X-23 wiring box as well as the Uponor Smatrix floor/remote sensor S-1XX.

Components of the thermostat

The illustration below shows the thermostat and its components.



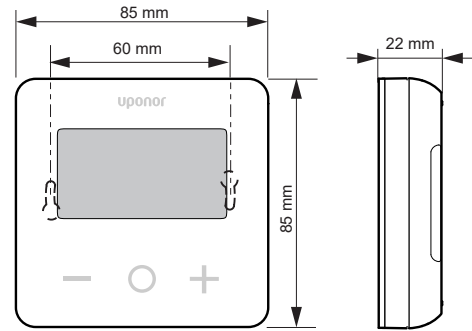
CD0000490

Item	Description
A	Uponor Base thermostat display T-27 230V
B	Mounting material

Technical data

Description	Value
Product name	Uponor Base thermostat display T-27 230V
IP	IP30 (IP: degree of inaccessibility to active parts of the product and degree of water)
Max. ambient RH (relative humidity)	60 % at 20 °C
Marking	CE, UKCA, EAC
ERP	Class I
Power supply	230 V AC, 50 Hz
Operating temperature	0 °C to +50 °C
Wired control	TRIAC 230 V
Storage temperature	-20 °C to +60 °C
Room temperature sensor (rt)	CTN 10 K at 25 °C
External temperature sensor	CTN 10 K at 25 °C
Thermostat colour	Thermostat body RAL 9016 Transparent front glass

Dimensions



ZD0000060

Regulatory conformance

The Uponor Base thermostat display T-27 230V complies with the following directives.

- CE
- UKCA
- EAC

EU/UK Declaration of conformity

Hereby, Uponor declares that the Uponor Base thermostat display T-27 230V is in compliance with the relevant Community harmonisation legislation. ¹⁾



The full text of the EU/UK declaration of conformity is available at the following internet address:

<https://www.uponor.com/doc/1120075>

1) Refer to the related Uponor product for the specified certification and compliance marks.

Additional product information and instructions are delivered with the Uponor product. They are available at the website www.uponor.com/services/download-centre and at the national Uponor websites in local language.



Uponor GmbH

Industriestraße 56,
D-97437 Hassfurt, Germany

1121209 v3_08_2023_EN
Production: Uponor/ELO

Uponor reserves the right to change the product portfolio and the related documentation without prior notification, in line with its policy of continuous improvement and development.



www.uponor.com