

4

3

2

1

F

F

E

E

D

D

C

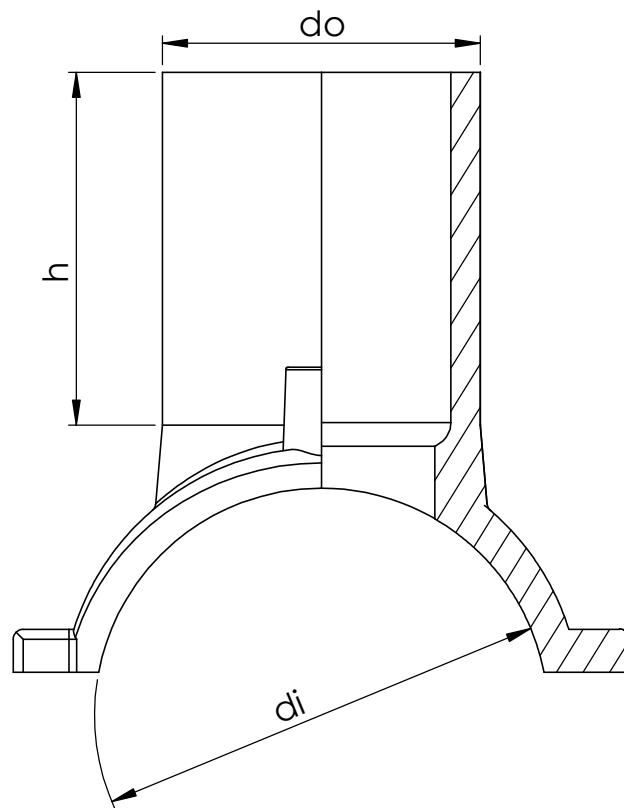
C

B

B

A

A



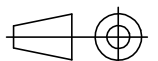
Item	Size	di	do	h
1000567	63/63	63	63	75
1000568	90/63	90	63	75
1000569	110/63	110	63	90
1000575	110/90	110	90	90
1000571	160/63	160	63	65
1000577	160/90	160	90	90
1000578	160/110	160	110	90
1000581	180-200/90	180/200	63	90
1000582	225-280/63	225/280	63	90

Uponor

Description
INFRA
Mounting dimensions
Iplast Pressure EF branch saddle
EF Fittings

Drawing number
Z_Iplast_Pressure_EF_branch_saddle

Sheet: 1/1



4

3

2

1