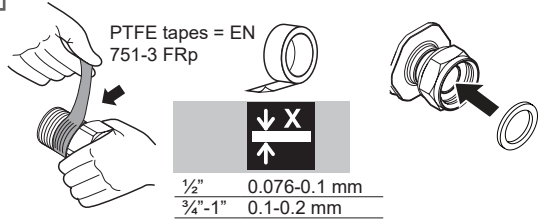


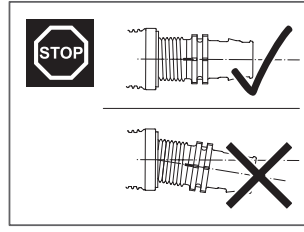


G

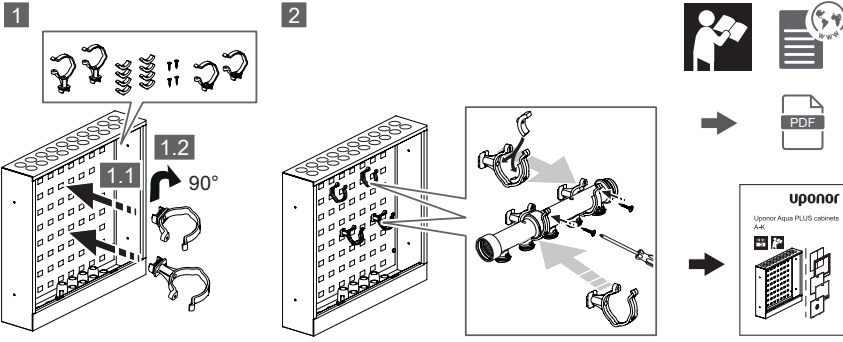


PTFE tapes = EN 751-3 FRp

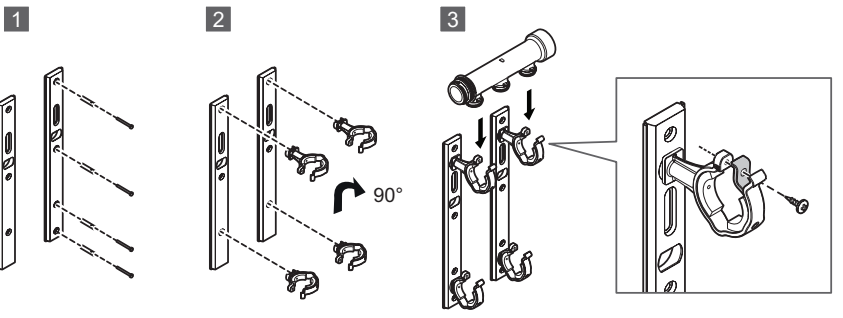
1/2" 0.076-0.1 mm
3/4"-1" 0.1-0.2 mm



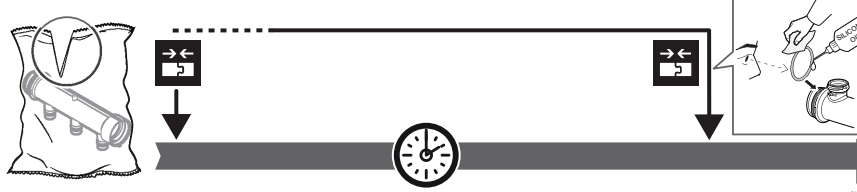
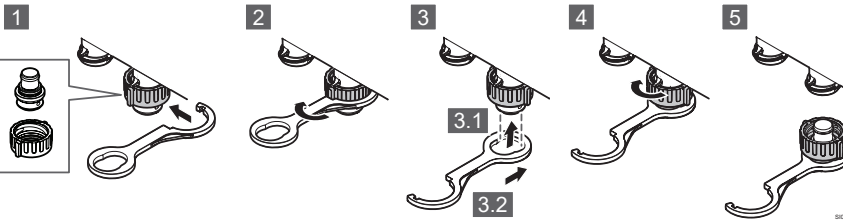
H



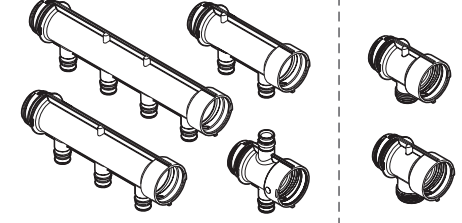
I



J



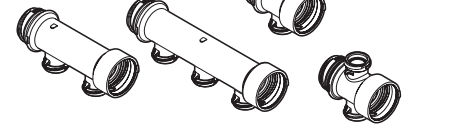
A B H I



A B G

H I

A B F H I



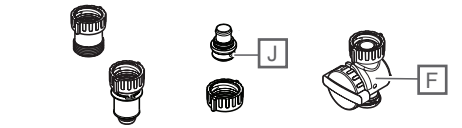
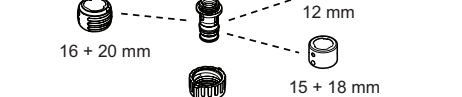
B



C D

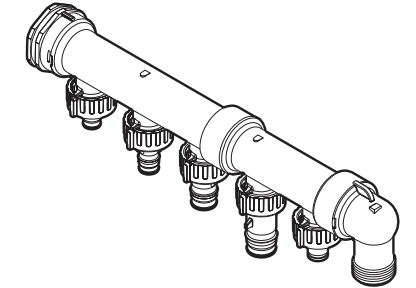


E



uponor

Uponor Aqua PLUS manifolds PPM with adapters



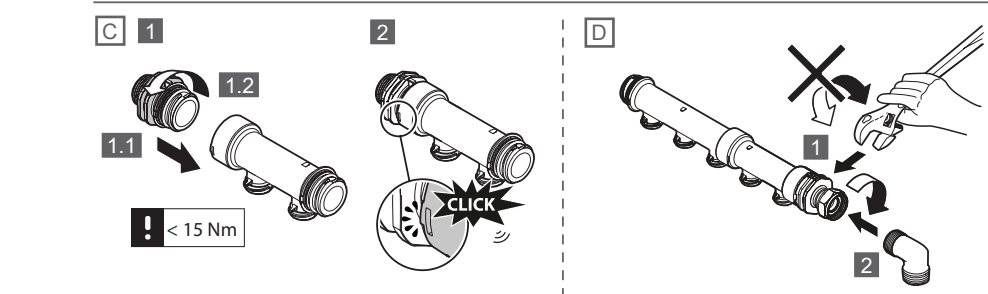
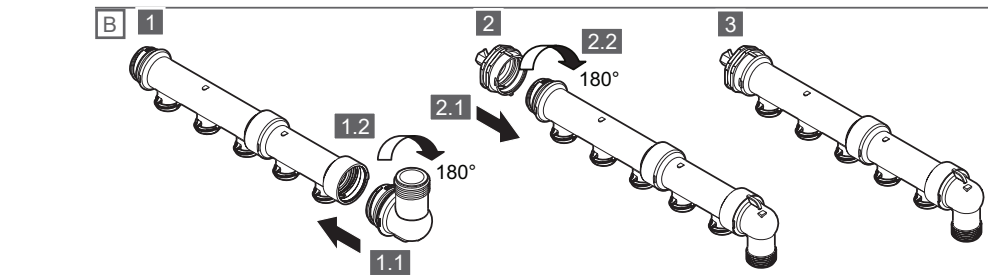
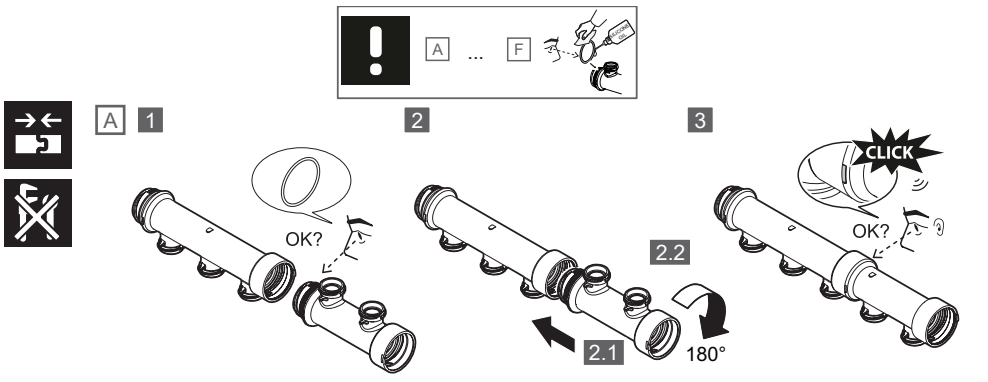
Production: Uponor/SDE
1089672_v4_03_2024_INT
www.uponor.com



D-97437 Hassfurt, Germany
Industriestraße 56
Uponor GmbH

Uponor reserves the right to change specifications without prior notice. In keeping with our policy of continuous improvement and development.

uponor



1) Uponor Q&E 9.9-32 mm
 2) Uponor FPL-X compression adapter
 3) Uponor Uni Pipe PLUS 16-32 mm
 Uponor MLC 14 mm and 40-110 mm
 Uponor Metallic Pipe PLUS 16-20 mm

www.uponor.com/services/download-centre

