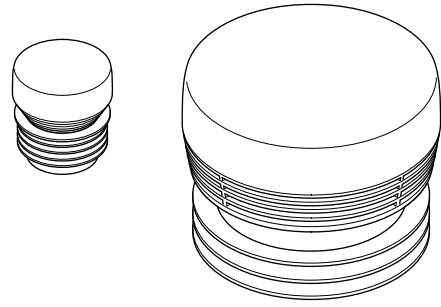
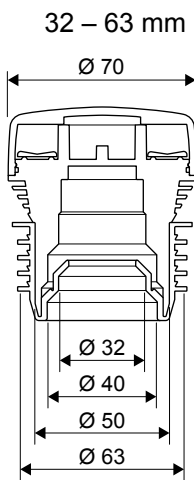
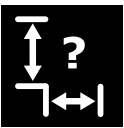


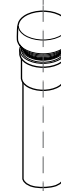
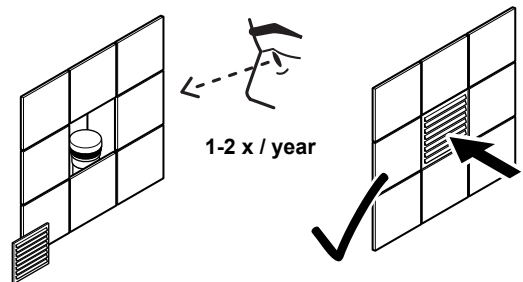
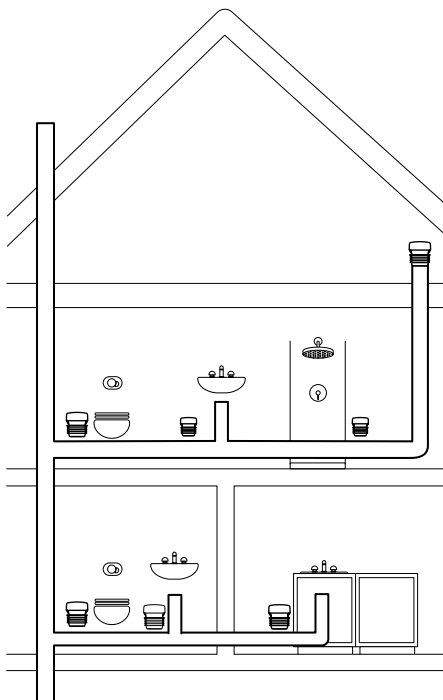
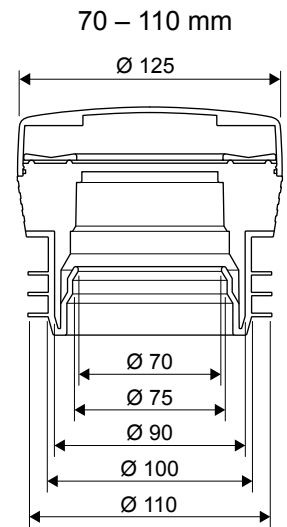
Uponor Air admittance valves



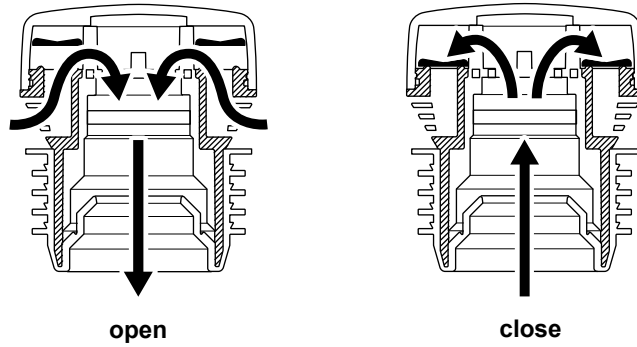
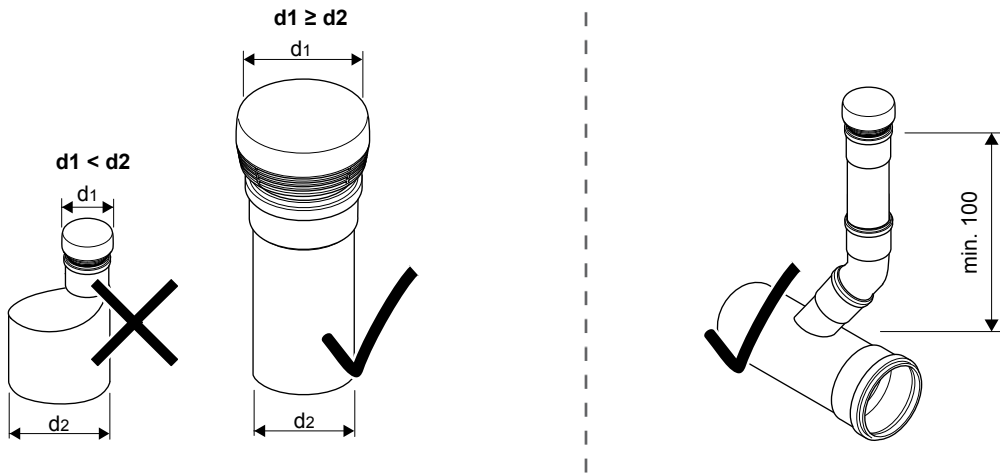
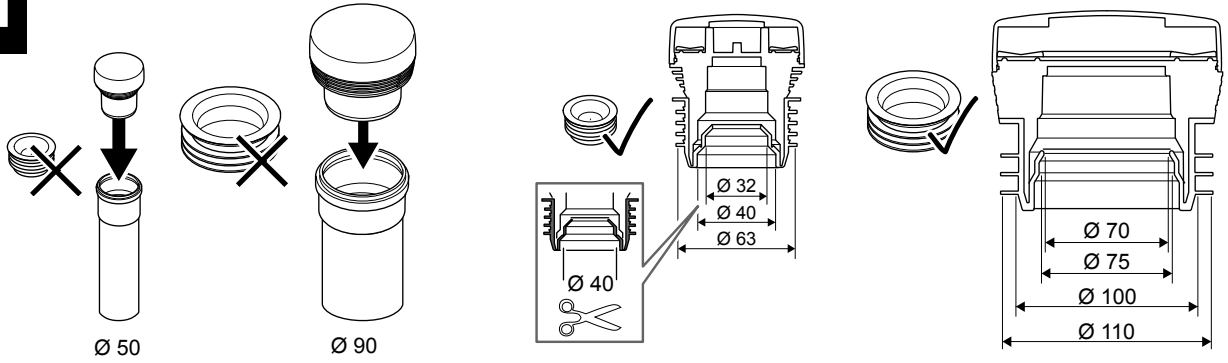
SD000024



	32 – 63	70 – 110
EN 12380	AI	AI
\dot{V} max. [l/s]	6,1	23,2
t min./max. [°C]	-20 ... +60	-20 ... +60
m [kg]	0,1	0,35



SD000059



Uponor GmbH

Industriestraße 56,
D-97437 Hassfurt, Germany

1135066 v1_03_2022_INT
Production: Uponor/SDE_FM

Uponor reserves the right to make changes, without prior notification, to the specification of incorporated components in line with its policy of continuous improvement and development.



www.uponor.com

SI0000520