

4

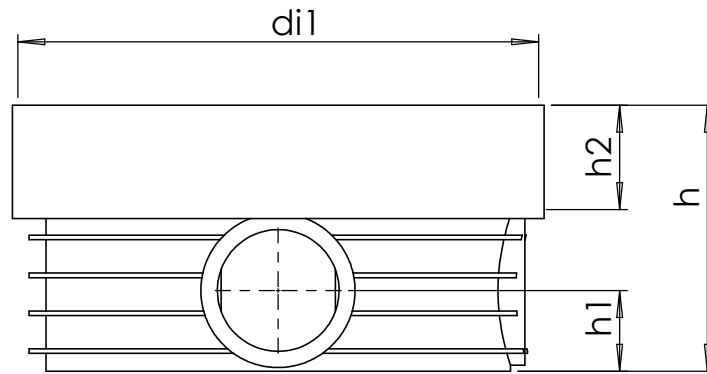
3

2

1

F

F

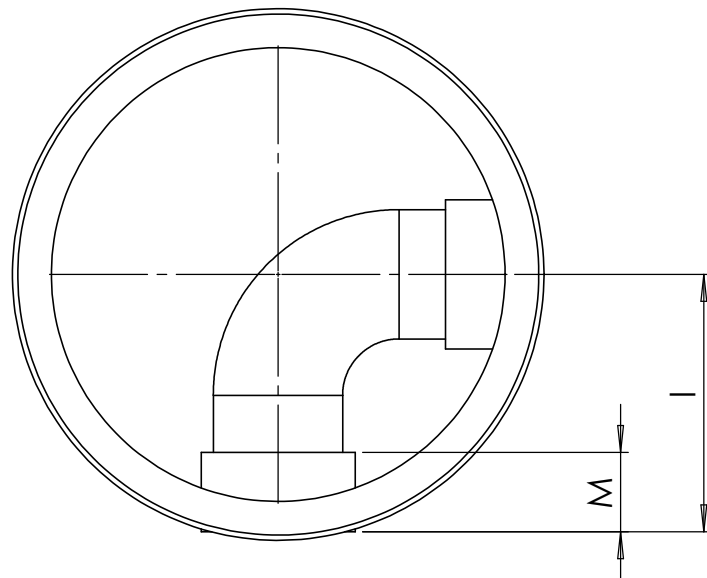


E

E

D

D



C

C

B

B

Item	Size	l	di1	h	h1	h2	M
1118297	600/160 0-90	367	689	393	121	158	105
1118303	600/200 0-90	378	689	435	142	158	125
1118309	600/250 0-90	392	689	487	168	158	155
1118315	600/315 0-90	397	689	556	203	158	180

A

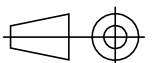
A

Uponor

Description
INFRA
Mounting dimensions
Sewer inspection chamber
packages

Drawing number
Z_ACCESSO_600_0-90_BLACK_PP

Sheet: 1/1



4

3

2

1