

4

3

2

1

F

F

E

E

D

D

C

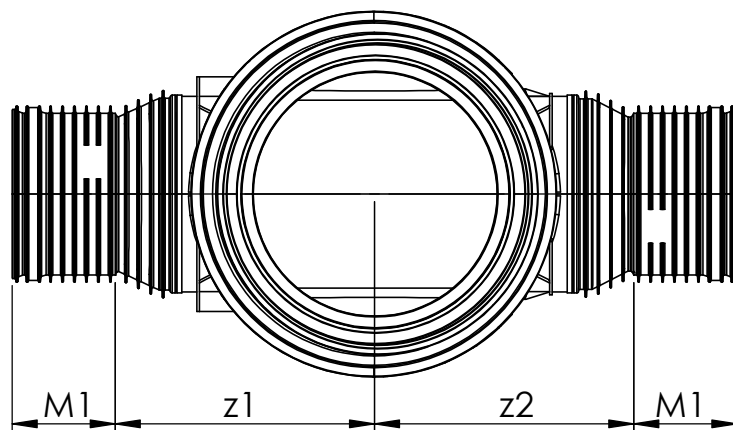
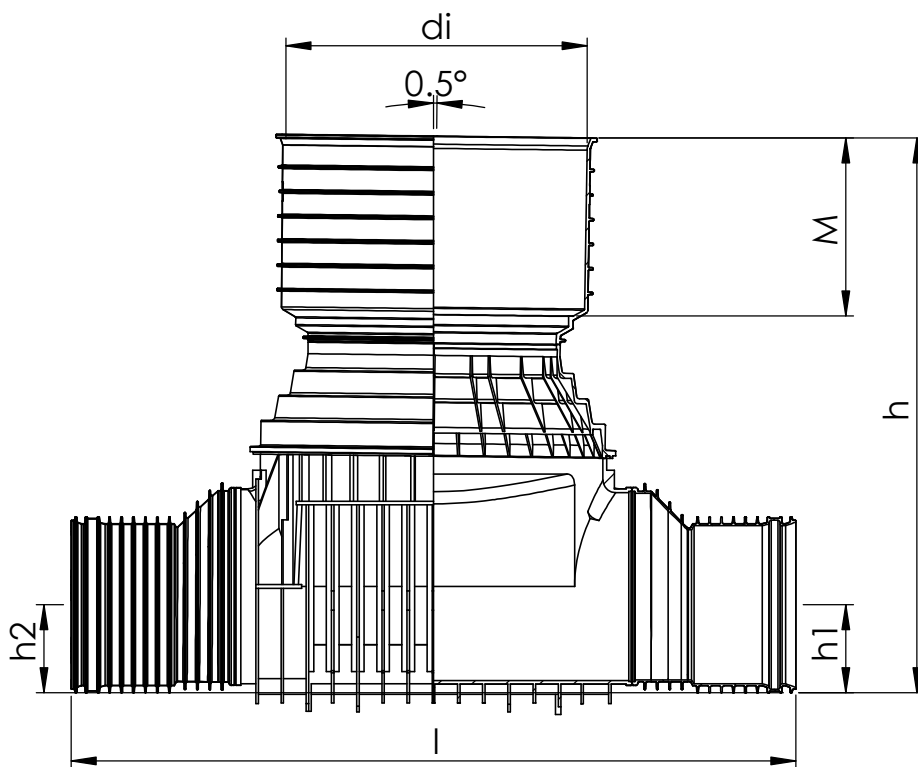
C

B

B

A

A

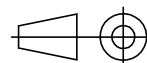


Item	Size	di	l	h	h1	h2	M	M1	z1	z2
1054211	425/250	425	1150	882	140	140	283	164	411	411



Description  
 INFRA  
 Mounting dimensions  
 Sewer inspection chamber packages

Drawing number  
 Z\_Sewer\_chamber\_T1\_425\_250



Sheet: 1/1

4

3

2

1