

4

3

2

1

F

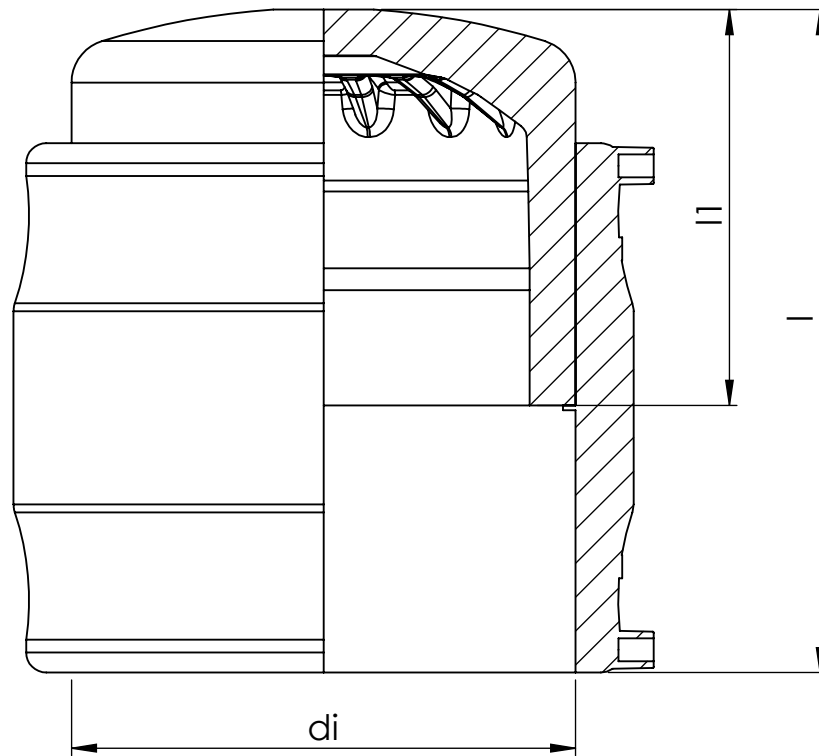
F

E

E

D

D



C

C

B

B

Item	Size	di	l	l1
1000410	20	20	88	53
1000411	25	25	49	40
1000412	32	32	103	60
1000413	40	40	110	64
1000414	50	50	61	46
1000415	63	63	139	82
1000416	75	75	148	87
1000417	90	90	167	102
1000418	110	110	180	104
1000419	125	125	189	110
1000420	140	140	200	114
1000421	160	160	224	130
1000423	200	200	263	157
1000424	225	225	256	142
1000425	250	250	274	151

A

A

**uponor**

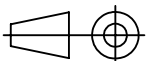
Description

INFRA  
Mounting dimensions  
Pressure EF End Cap SDR11 PE100  
EF FITTINGS

Drawing number

Z\_Pressure\_EF\_End\_Cap\_110\_SDR11\_PE100

Sheet: 1/1



4

3

2

1