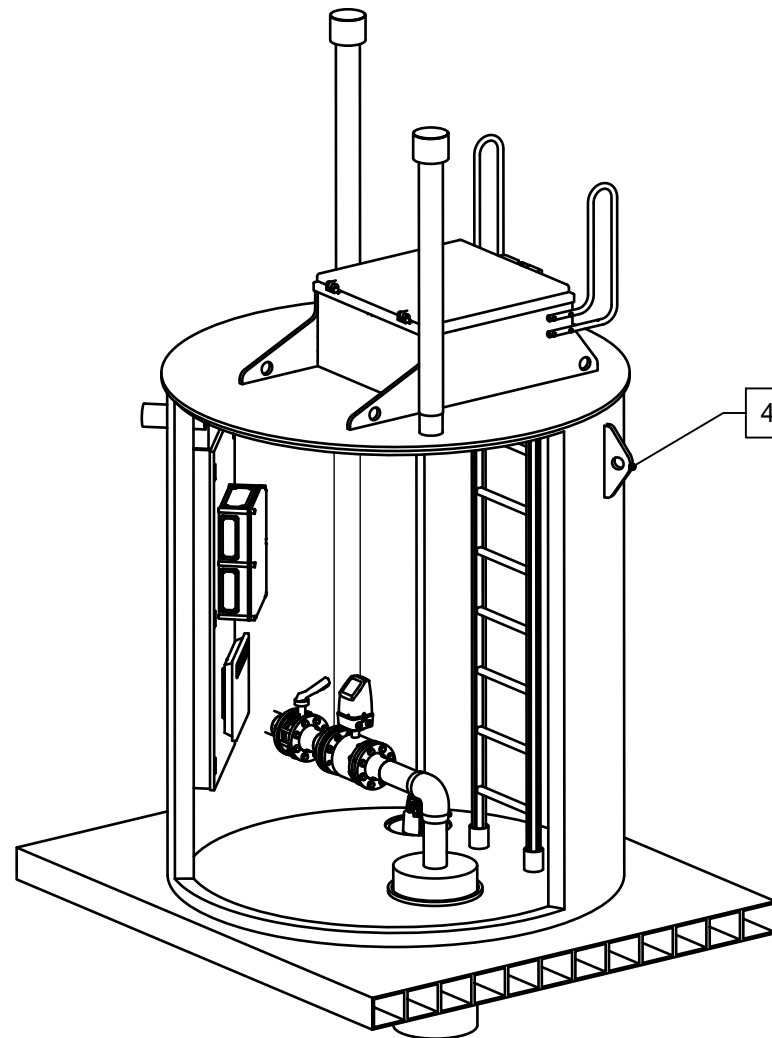
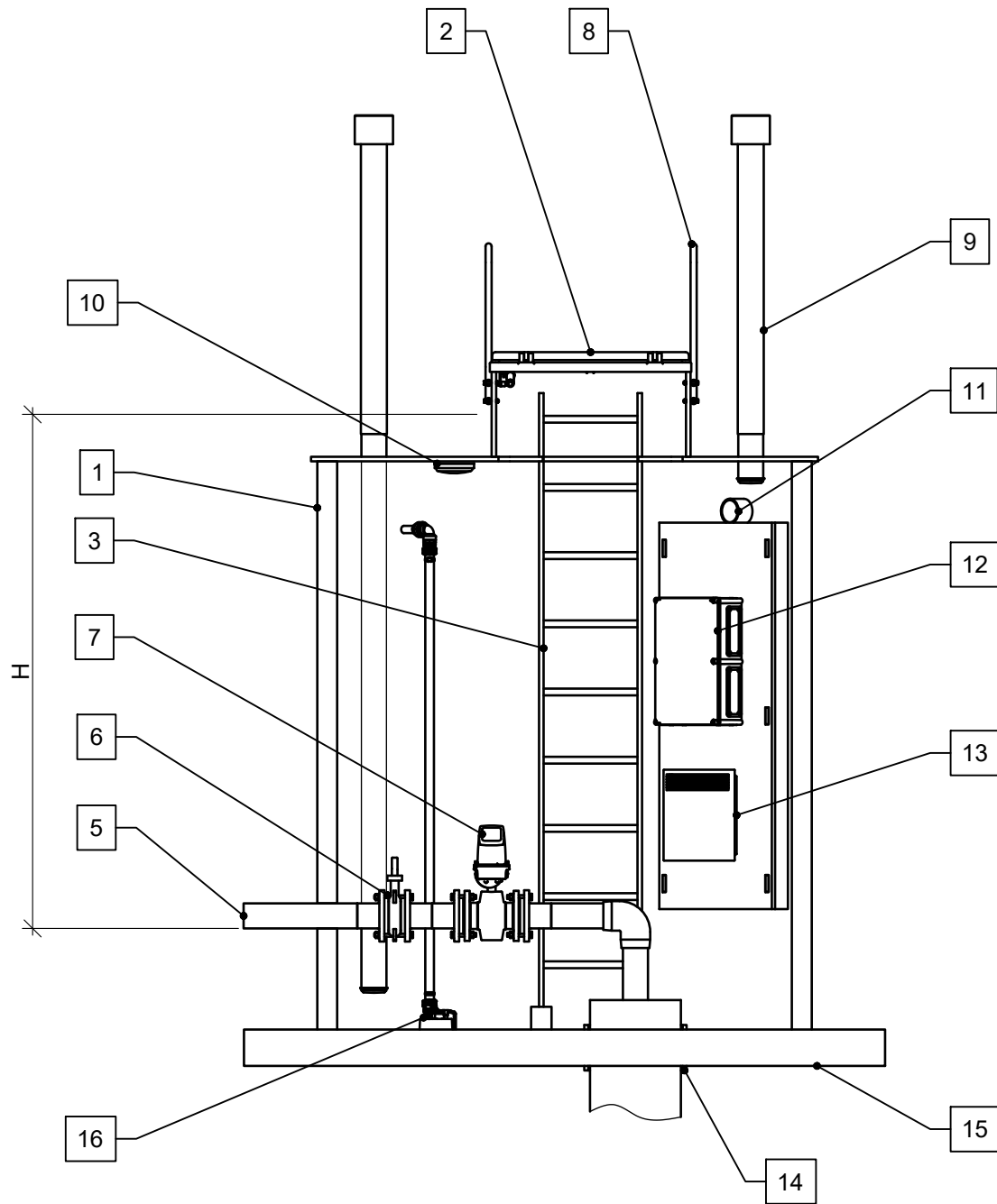


## Uponor Flowise Borehole Protection Chamber



| Selections                            |  |
|---------------------------------------|--|
| Feature                               | Selection  |
| Groundwater level below ground        | <input type="checkbox"/> YES <input type="checkbox"/> NO _____ m |
| Pressure pipe depth from ground level | H= _____ mm  |
| Pressure pipe diameter                | D= _____ mm  |

| Borehole Protection Chamber |                                     |  |      |
|-----------------------------|-------------------------------------|--|------|
| Pos.                        | Description                         | Model/Size   | Qty. |
| 1                           | Chamber body PE100                  | <input type="checkbox"/> 1000 <input type="checkbox"/> 1200 <input type="checkbox"/> 1250<br><input type="checkbox"/> 1400 <input type="checkbox"/> 1600 <input type="checkbox"/> 2000<br><input type="checkbox"/> 2400 <input type="checkbox"/> 3000<br><input type="checkbox"/> Other: _____ | 1    |
| 2                           | Chamber top                         | <input type="checkbox"/> A <input type="checkbox"/> B <input type="checkbox"/> D <input type="checkbox"/> E  | 1    |
| 3                           | Ladder                              | <input type="checkbox"/> YES <input type="checkbox"/> NO   | 0-1  |
| 4                           | Lifting yoke                        |  | 2-4  |
| 5                           | Pressure pipe OUT                   |  | 1    |
| 6                           | Valve                               | <input type="checkbox"/> YES <input type="checkbox"/> NO DN: _____   |      |
| 7                           | Flow meter                          | <input type="checkbox"/> YES <input type="checkbox"/> NO DN: _____   |      |
| 8                           | Handrail                            | <input type="checkbox"/> YES <input type="checkbox"/> NO   |      |
| 9                           | Ventilation pipe DN100              | <input type="checkbox"/> YES <input type="checkbox"/> NO   | '1-2 |
| 10                          | Light LED                           | <input type="checkbox"/> YES <input type="checkbox"/> NO   |      |
| 11                          | Cable passing                       | DN100  | 1    |
| 12                          | Electrical cabin installation plate | <input type="checkbox"/> YES <input type="checkbox"/> NO   |      |
| 13                          | Heater                              | <input type="checkbox"/> YES <input type="checkbox"/> NO   |      |
| 14                          | Borehole casing pipe passing        | DE= _____  | 1    |
| 15                          | Bottom, self anchoring              |  | 1    |
| 16                          | Floor pump KP150                    | <input type="checkbox"/> YES <input type="checkbox"/> NO   |      |

|  |          |  |          |
|--|----------|--|----------|
| <input type="checkbox"/> Ø 860/800<br><input type="checkbox"/> Safety grit<br>   | <b>A</b> | <input type="checkbox"/> 600X600 aluminium<br><input type="checkbox"/> 800X800 aluminium<br>                 | <b>B</b> |
| <input type="checkbox"/> Ø600 cast iron 40tn<br><input type="checkbox"/> Ø630 cast iron 40tn<br><input type="checkbox"/> Without cast iron cover<br> | <b>D</b> | <input type="checkbox"/> Ø630 cast iron 40tn 0,75m<br><input type="checkbox"/> Ø800 cast iron 40tn 0,75m<br> | <b>E</b> |

uponor

WWW.UPONOR.COM

|                             |                |            |
|-----------------------------|----------------|------------|
| CASE NUMBER                 | DRAWN BY       | HANDLED BY |
| ---                         | ---            | ---        |
| DATE                        | CONTACT PERSON |            |
| 09-08-2023                  | ---            |            |
| CONTENT                     |                |            |
| Borehole protection chamber |                |            |
| SCALE                       | NUMBER         |            |
| 1:20 (A3)                   | 1140524-1      |            |