

4

3

2

1

F

F

E

E

D

D

C

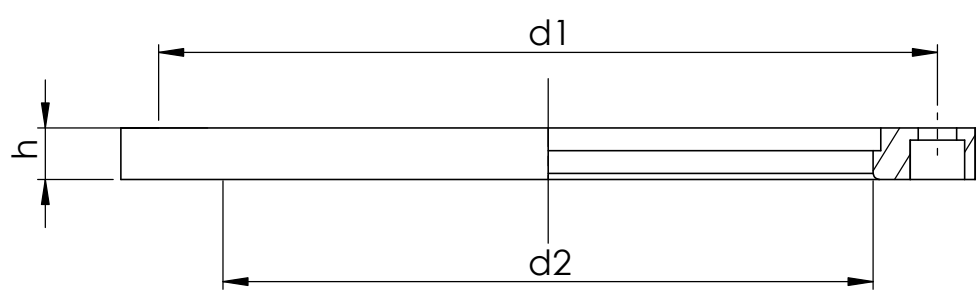
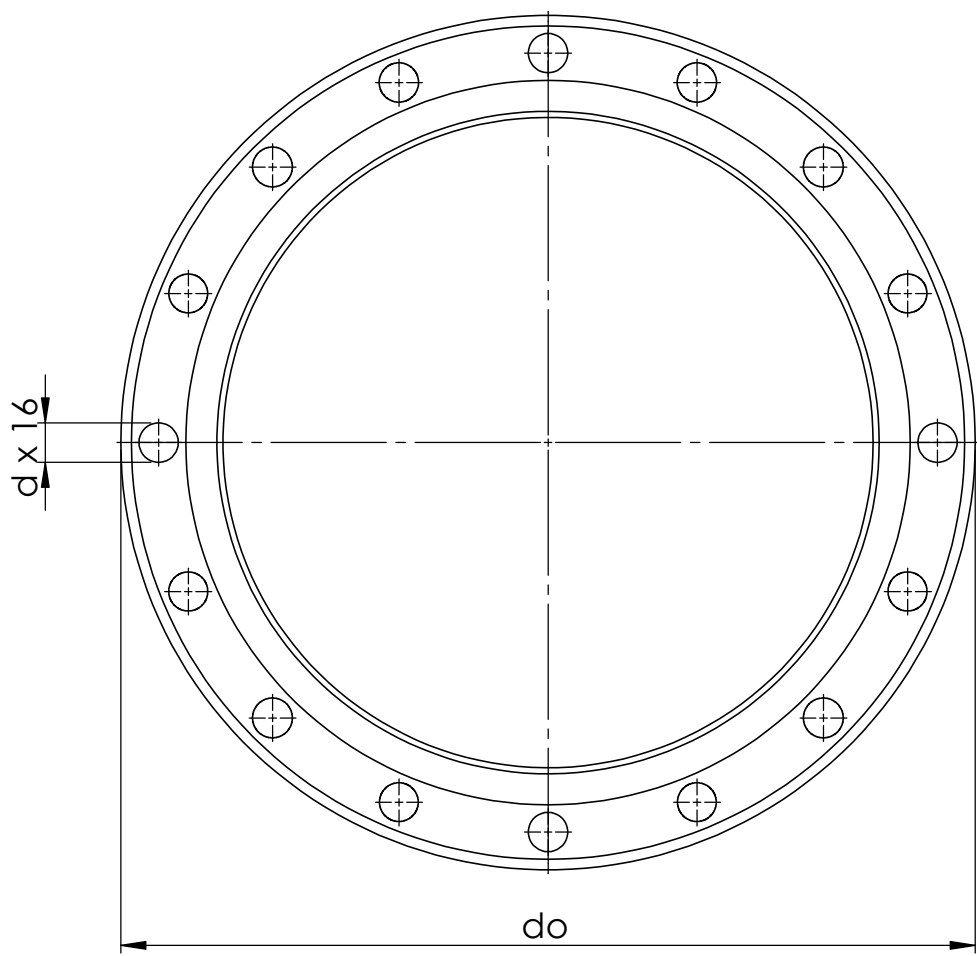
C

B

B

A

A



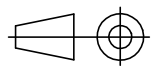
| Item    | Size (flange collar) | d  | Bolt size | d1  | d2  | do  | h  | Operating pressure (max) |
|---------|----------------------|----|-----------|-----|-----|-----|----|--------------------------|
| 1068670 | 400/400              | 26 | M24       | 515 | 430 | 565 | 34 | 10                       |



Description  
 INFRA  
 Mounting dimensions  
 Pressure flange DN350-400 PN10 Epox  
 Flanges

Drawing number  
 Z\_Pressure\_flange\_DN400\_PN10\_EPOX

Sheet: 1/1



4

3

2

1